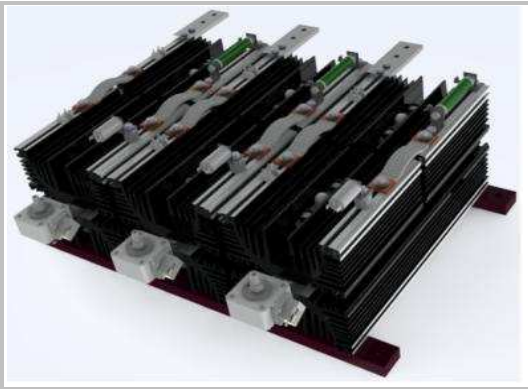


SKS 780N W3C 675 V16 SU



Thyristor Presspack stack

| Electrical Characteristics | | | | | | |
|----------------------------|--|---|-----|-----|-----|-----------|
| Symbol | Conditions | | min | typ | max | Unit |
| Electrical Data | | | | | | |
| I_{OUT} | Maximum output current | $T_{AMBIENT} = 45^{\circ}C$; No overload | | 780 | | A_{RMS} |
| V_{AC} | Maximum AC voltage (+/-10%) | | | 500 | | V_{AC} |
| P_{TOTAL} | Maximum stack power | | | 675 | | kW |
| P_{LOSS} | Stack power loss ($T_{AMBIENT} = 45^{\circ}C$) | | | | | W |

| Environmental Data | | | | | | |
|--------------------|---|--|-----|-------------|-------|------|
| Symbol | Conditions | | min | typ | max | Unit |
| Mechanical Data | | | | | | |
| Drawing | SEMIKRON document number.revision.version | | | 12051112.00 | | - |
| Weight | Approximate total weight | | | 104.1 | | kg |
| Altitude | Installation altitude without derating | | | | 1 000 | m |
| Protection | IEC 60529 | | | IP00 | | - |
| Pollution Degree | EN 50178 | | | 2 | | - |

SEMISTACK® CLASSICS - W3C

Three phase reverse parallel thyristor converter

Preliminary Data

Ordering No. 08785209
Description SKS 780N W3C 675 V16 SU

Features

- Non-isolated power stacks
- SKT 1200/16
- Heatsink U3/515
- Natural cooling
- RC circuit included
- Fuses with microswitches

Typical Applications

- Soft starters

Remarks

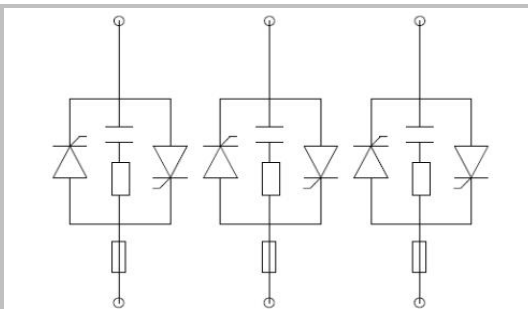
This technical information specifies semiconductor devices but promises no characteristics. No warranty or guarantee, expressed or implied, is made regarding delivery, performance or suitability.

Stack Protection

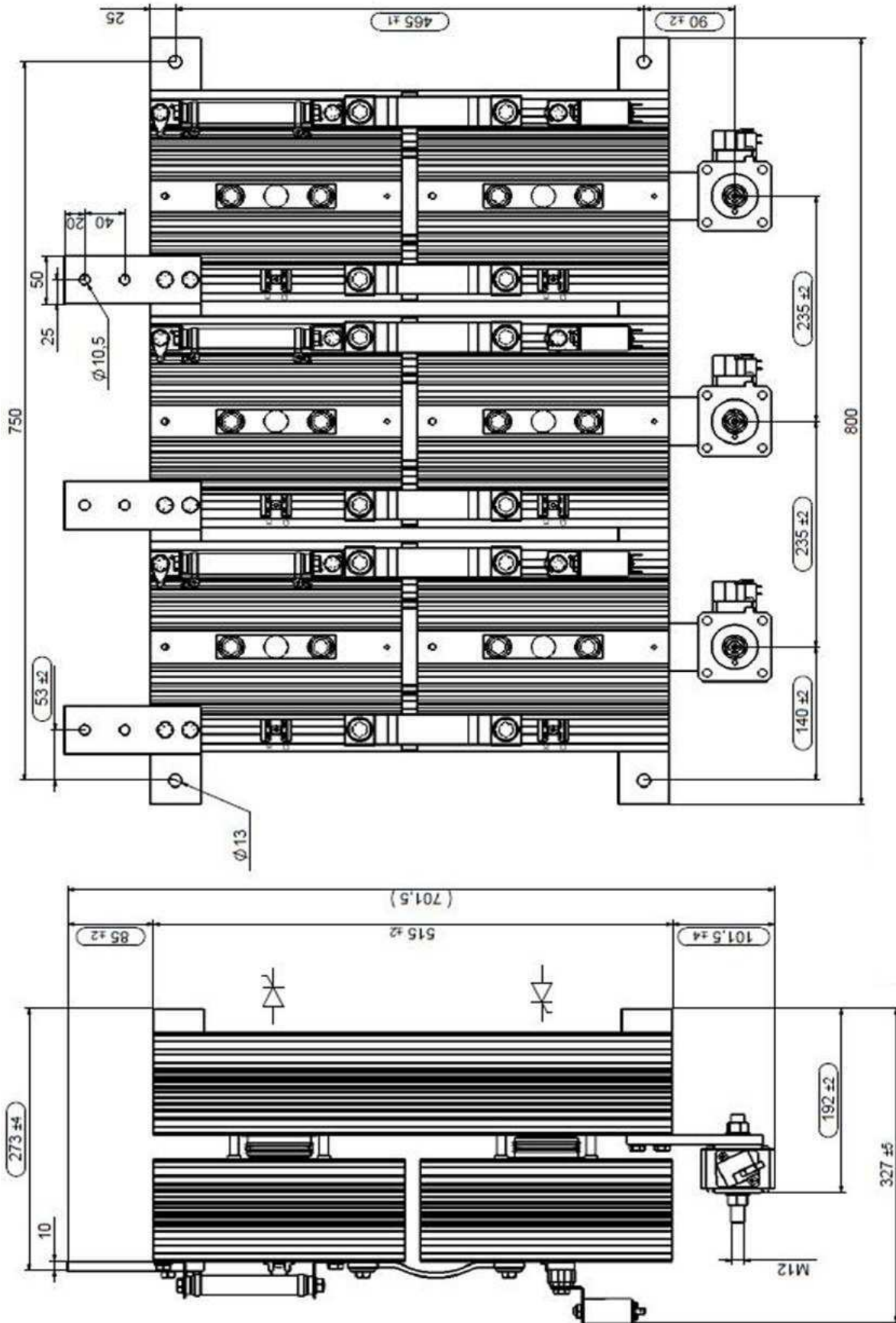
| Symbol | Conditions | | min | typ | max | Unit |
|------------|---------------------------------|--|-----|------|-----|---------|
| RC Circuit | | | | | | |
| Type | RC in parallel with each switch | | | - | | - |
| R | Resistance (80W) | | | 33 | | Ohm |
| C | | | | 0.47 | | μF |

Fuses

| | | | | | |
|-------------|--|-----|-------|---------|---------|
| Size | 1 fuse per phase, with microswitches | | 33 | | - |
| $I_{N RMS}$ | Caliber | | 1 250 | | A |
| U_N | Nominal voltage (IEC) | 690 | | | V |
| I^2t | Total at U_N at room temperature (approx. 20...25°C) | | | 1 942.5 | kA^2s |



W3C



Dimensions

This technical information specifies semiconductor devices but promises no characteristics. No warranty or guarantee expressed or implied is made regarding delivery, performance or suitability.