

Diode Module stack

Electrical Characteristics						
Symbol	Conditions		min	typ	max	Unit
Electrical Data						
$I_D$	Maximum DC current	$T_{AMBIENT} = 35^{\circ}C$ ; No overload		660		A
$V_{AC}$	Maximum AC voltage (+/-10%)			500		$V_{AC}$
$V_{BUS}$	DC Bus voltage			670		$V_{DC}$
$P_{TOTAL}$	Maximum stack power			440		kW
$P_{LOSS}$	Stack power loss ( $T_{AMBIENT} = 35^{\circ}C$ )					W

Environmental Data						
Symbol	Conditions		min	typ	max	Unit
Mechanical Data						
Drawing	SEMIKRON document number.revision.version			11102106.01.B		-
Weight	Approximate total weight			15.4		kg
Altitude	Installation altitude without derating				1 000	m
Protection	IEC 60529			IP00		-
Pollution degree	EN 50178			2		-

Fan Data						
Symbol	Conditions		min	typ	max	Unit
Fan Data						
Type	SEMIKRON fan designation			SKF 16A-230-11		-
$V_{FAN}$	Fan voltage			230		$V_{AC}$
$f_{FAN}$	Fan frequency			50/60		Hz
$I_{FAN}$	Fan maximum input current			0.60/0.68		A
$P_{FAN}$	Fan power			135/154		W

Stack Protection						
Symbol	Conditions		min	typ	max	Unit
RC Circuit						
Type	RC in parallel with bridge rectifier			1/6 RC47		-
R	Resistance (11W)			47		Ohm
C				0.22		$\mu F$

Fuses						
Symbol	Conditions		min	typ	max	Unit
Fuses						
Size	1 fuse per phase, with microswitches			31		-
$I_{N RMS}$	Caliber			700		A
$U_N$	Nominal voltage (IEC)			690		V
$I^2t$	Total at $U_N$ at room temperature (approx. 20...25°C)				514.5	$kA^2s$

Bimetal Thermal Trip						
Symbol	Conditions		min	typ	max	Unit
Bimetal Thermal Trip						
$T_S$	Switching temperature over which thermal trip is open			80		$^{\circ}C$
$I_{TC MAX}$	Maximum permissible current			1		A
				3		A

## SEMISTACK® CLASSICS - B6U

Three phase uncontrolled rectifier

### Preliminary Data

Ordering No. 08785121  
Description SKS 660F B6U 440 V16 SU

### Features

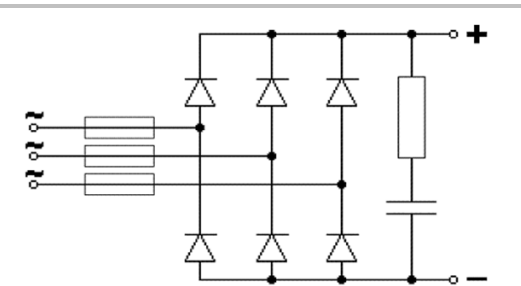
- Isolated power stacks
- SKKD 260/16
- Heatsink P16/200
- Forced air cooling
- RC circuit included
- Fuses with microswitches
- Thermal trip included

### Typical Applications

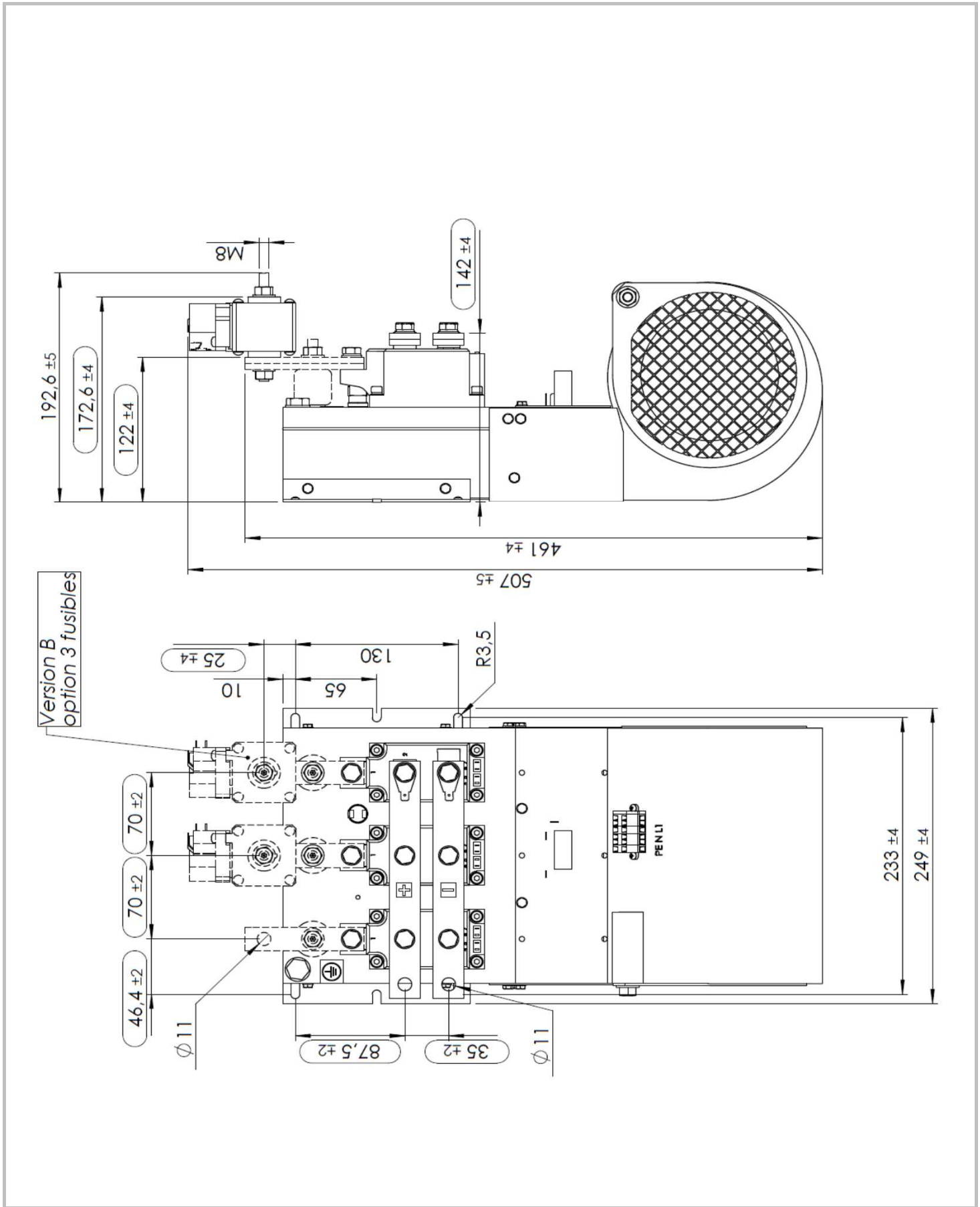
- Power supplies
- Rectifier for AC/DC motor control

### Remarks

This technical information specifies semiconductor devices but promises no characteristics. No warranty or guarantee, expressed or implied, is made regarding delivery, performance or suitability.



B6U



Dimensions

This technical information specifies semiconductor devices but promises no characteristics. No warranty or guarantee expressed or implied is made regarding delivery, performance or suitability.