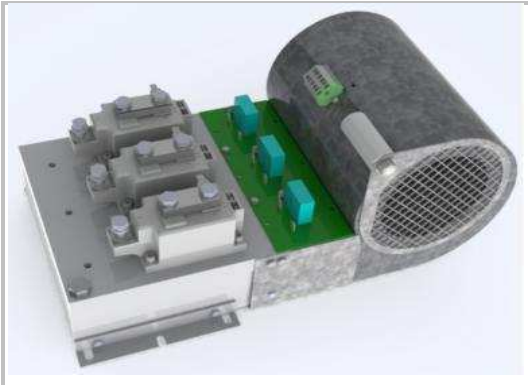


SKS 520F W3C 450 V16



Thyristor Module stack

SEMISTACK® CLASSICS - W3C

Three phase reverse parallel thyristor converter

Preliminary Data

Ordering No. 08785220
Description SKS 520F W3C 450 V16

Features

- Isolated power stacks
- SKKT 330/16
- Heatsink P16/200
- Forced air cooling
- RC circuit included
- Thermal trip included

Typical Applications

- Soft starters

Remarks

This technical information specifies semiconductor devices but promises no characteristics. No warranty or guarantee, expressed or implied, is made regarding delivery, performance or suitability.

Electrical Characteristics

Symbol	Conditions	min	typ	max	Unit
Electrical Data					
I_{OUT}	Maximum output current	$T_{AMBIENT} = 35^{\circ}C$; No overload		520	A_{RMS}
V_{AC}	Maximum AC voltage (+/-10%)			500	V_{AC}
P_{TOTAL}	Maximum stack power			450	kW
P_{LOSS}	Stack power loss ($T_{AMBIENT} = 35^{\circ}C$)				W

Environmental Data

Symbol	Conditions	min	typ	max	Unit
Mechanical Data					
Drawing	SEMIKRON document number.revision.version	12041112.01.A		-	
Weight	Approximate total weight	12.9			kg
Altitude	Installation altitude without derating			1 000	m
Protection	IEC 60529	IP00		-	
Pollution Degree	EN 50178	2		-	

Fan Data

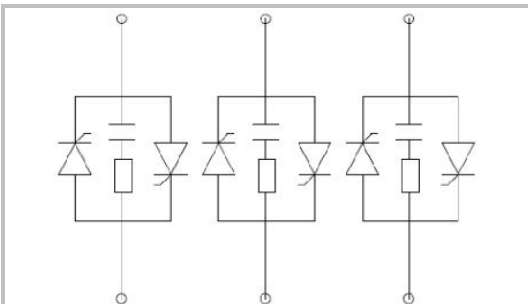
Type	SEMIKRON fan designation	SKF 16A-230-11	-
V_{FAN}	Fan voltage	230	V_{AC}
f_{FAN}	Fan frequency	50/60	Hz
I_{FAN}	Fan maximum input current	0.60/0.68	A
P_{FAN}	Fan power	135/154	W

Stack Protection

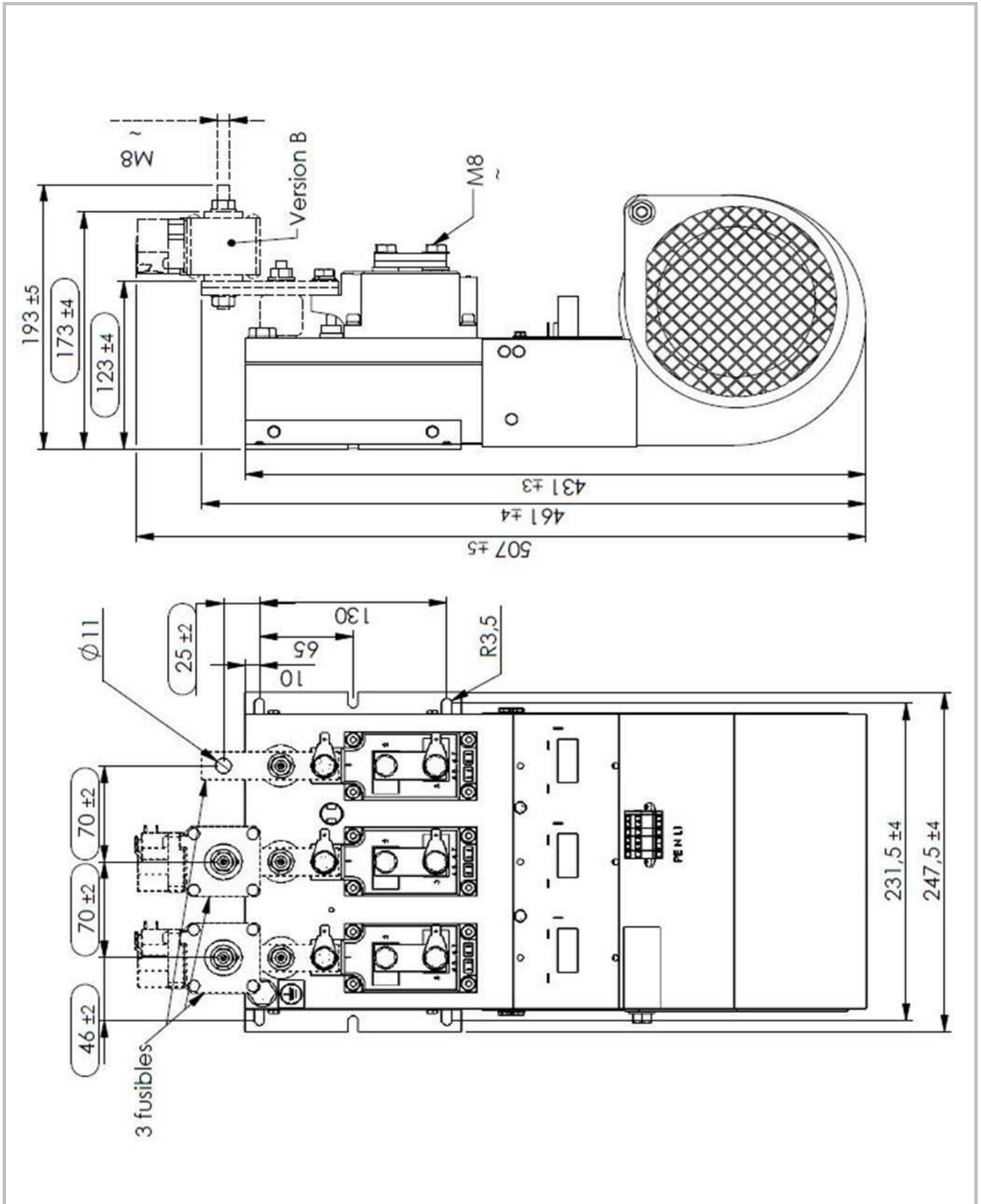
Symbol	Conditions	min	typ	max	Unit
RC Circuit					
Type	RC in parallel with each switch	1/2 RC47		-	
R	Resistance (11W)	47			Ohm
C		0.22			μF

Bimetal Thermal Trip

T_S	Switching temperature over which thermal trip is open	85	$^{\circ}C$
$I_{TC MAX}$	Maximum permissible current	1	A
		3	A



W3C



Dimensions

This technical information specifies semiconductor devices but promises no characteristics. No warranty or guarantee expressed or implied is made regarding delivery, performance or suitability.