

| Electrical Characteristics | | | | | | |
|----------------------------|--|---|-----|-----|-----|----------|
| Symbol | Conditions | | min | typ | max | Unit |
| Electrical Data | | | | | | |
| I_D | Maximum DC current | $T_{AMBIENT} = 45^{\circ}C$; No overload | | 425 | | A |
| V_{AC} | Maximum AC voltage (+/-10%) | | | 500 | | V_{AC} |
| V_{BUS} | DC Bus voltage | | | 670 | | V_{DC} |
| P_{TOTAL} | Maximum stack power | | | 285 | | kW |
| P_{LOSS} | Stack power loss ($T_{AMBIENT} = 45^{\circ}C$) | | | | | W |

| Environmental Data | | | | | | |
|--------------------|---|--|-----|---------------|-------|------|
| Symbol | Conditions | | min | typ | max | Unit |
| Mechanical Data | | | | | | |
| Drawing | SEMIKRON document number.revision.version | | | 11092016.00.B | | - |
| Weight | Approximate total weight | | | 14.7 | | kg |
| Altitude | Installation altitude without derating | | | | 1 000 | m |
| Protection | IEC 60529 | | | IP00 | | - |
| Pollution degree | EN 50178 | | | 2 | | - |

SEMISTACK® CLASSICS - B6U

Three phase uncontrolled rectifier

Preliminary Data

Ordering No. 08785115
Description SKS 425N B6U 285 V16 SU

Features

- Non-isolated power stacks
- SKN 240/16
- Heatsink P1/150
- Natural cooling
- RC circuit included
- Fuses with microswitches

Typical Applications

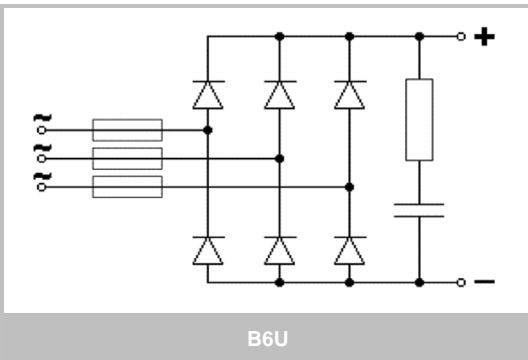
- Power supplies
- Rectifier for AC/DC motor control

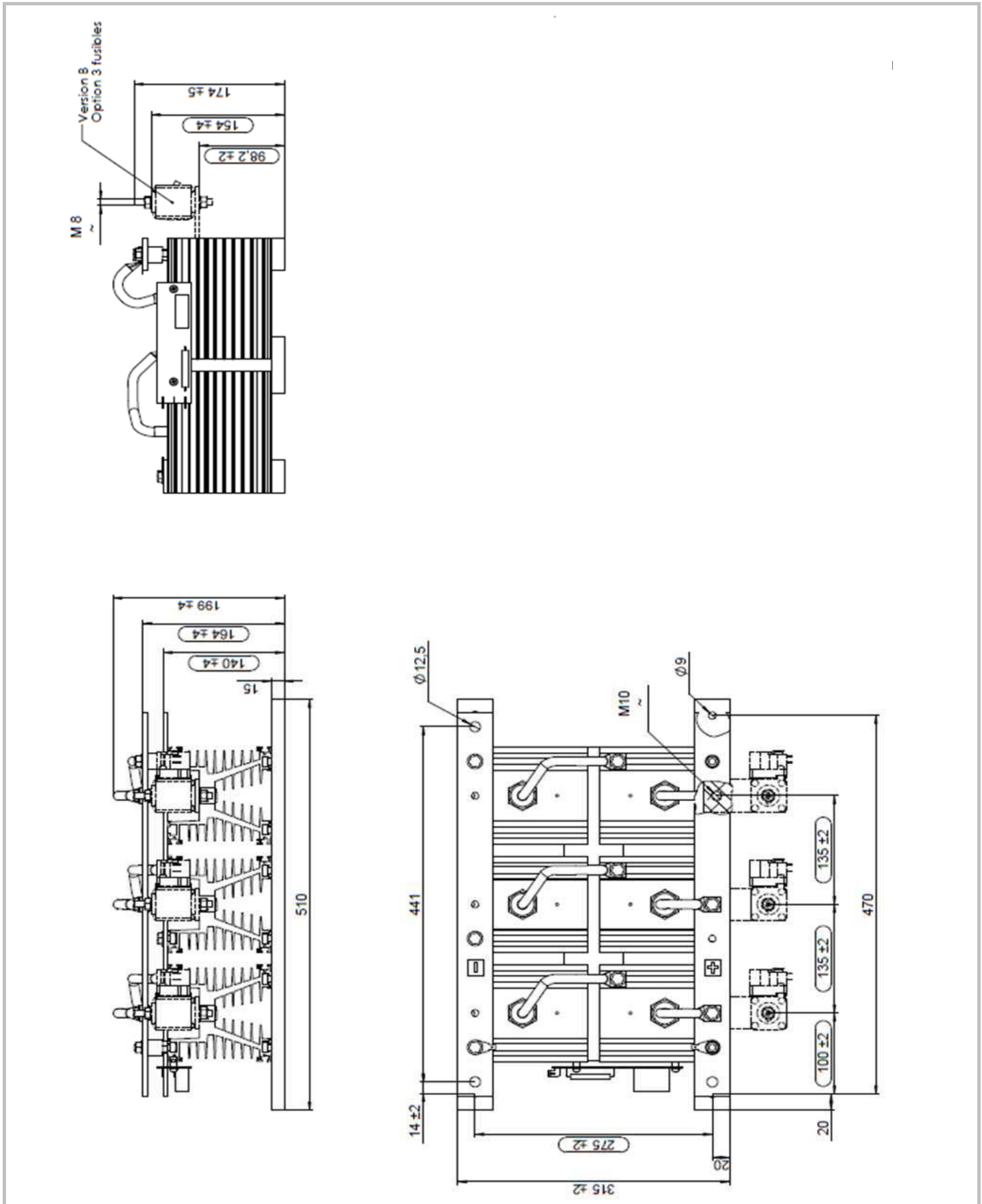
Remarks

This technical information specifies semiconductor devices but promises no characteristics. No warranty or guarantee, expressed or implied, is made regarding delivery, performance or suitability.

| Stack Protection | | | | | | |
|------------------|--------------------------------------|--|-----|-----------|-----|---------|
| Symbol | Conditions | | min | typ | max | Unit |
| RC Circuit | | | | | | |
| Type | RC in parallel with bridge rectifier | | | 1/2 RC15B | | - |
| R | Resistance (11W) | | | 68 | | Ohm |
| C | | | | 0.1 | | μF |

| Fuses | | | | | | |
|-------------|--|--|-----|-----|-----|---------|
| Symbol | Conditions | | min | typ | max | Unit |
| Fuses | | | | | | |
| Size | 1 fuse per phase, with microswitches | | | 30 | | - |
| $I_{N RMS}$ | Caliber | | | 400 | | A |
| U_N | Nominal voltage (IEC) | | | 690 | | V |
| I^2t | Total at U_N at room temperature (approx. 20...25°C) | | | | 126 | kA^2s |





Dimensions

This technical information specifies semiconductor devices but promises no characteristics. No warranty or guarantee expressed or implied is made regarding delivery, performance or suitability.