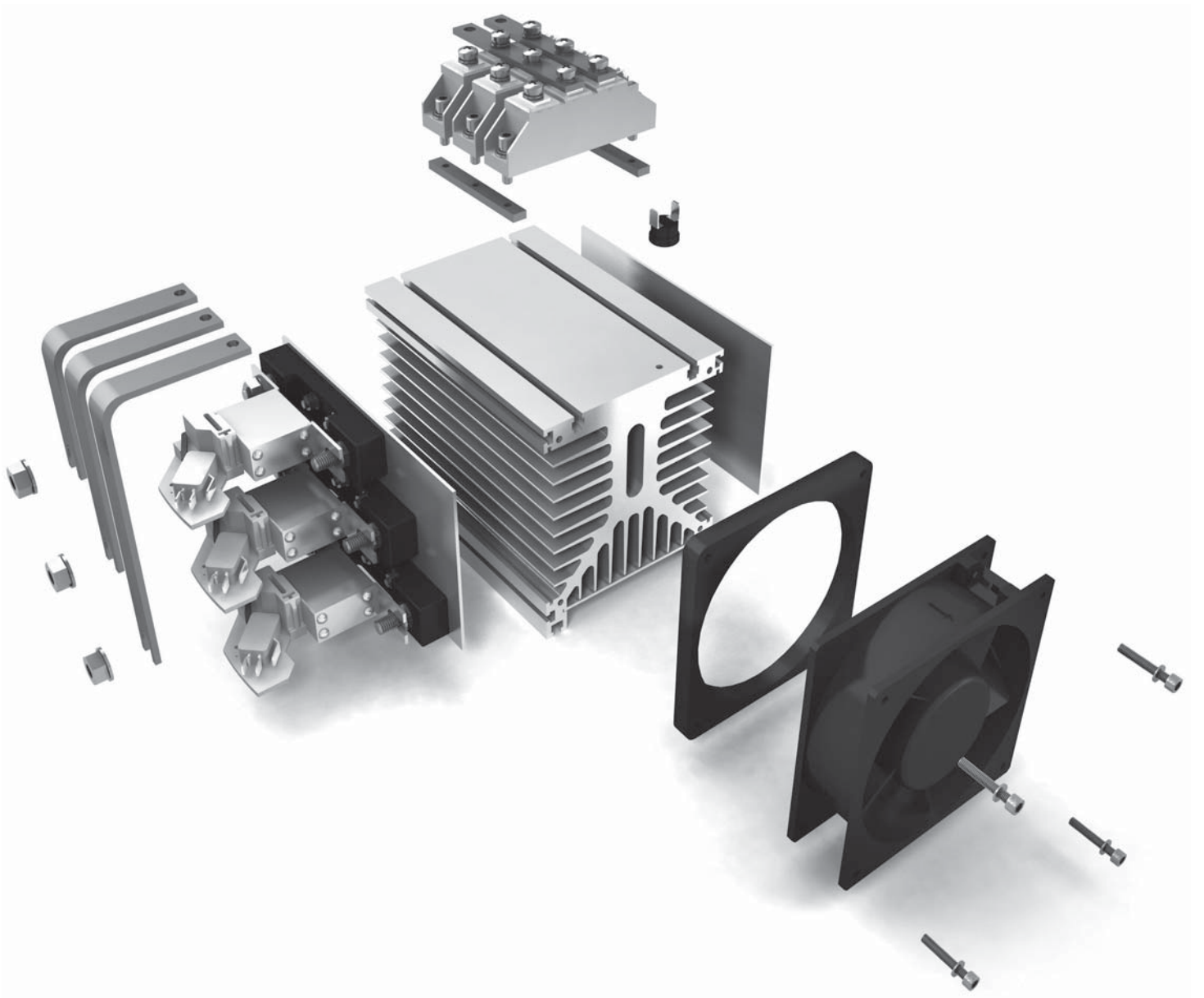


# SEMISTACK® KIT

One-stop-do-it-yourself kit



## DISCLAIMER & SAFETY INSTRUCTIONS

You must read the user manual carefully before assembling or using a SEMISTACK Kit. SEMISTACK Kits shall only be assembled by specialists who are duly trained according to local laws and regulations in assembling and/or handling high-power electrical devices. All precautions before assembling and/or handling high-power electrical devices are your responsibility to avoid personal or material risk.

SindoPower does not assume responsibility for faulty assembling of a SEMISTACK Kit. SindoPower does not know your application; therefore the functioning and/or suitability of a SEMISTACK Kit in your application are your responsibility.

By assembling and/or using SEMISTACK Kits, you agree that you have read and understood the entire user manual, including but not limited to all instructions and warnings contained in that manual, prior to assembling and/or using the SEMISTACK Kit in any way. You additionally agree that you will ensure that any additional or subsequent user of a SEMISTACK Kit will read and understand all information, manuals, and risks related to a high-power electrical device.

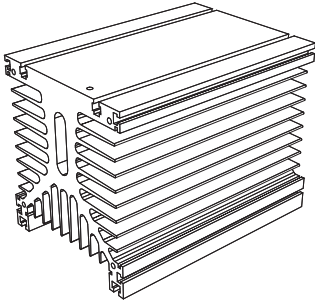
SindoPower has made every reasonable effort to make this manual complete and accurate to assist you in assembling a SEMISTACK Kit.

Since such devices are subject to change and improvements, all data is subject to change or correction without prior notice.

Furthermore our general T&Cs apply.

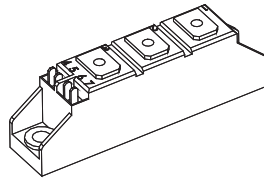
# SEMIPACK 1

Heatsink



1x

SEMIPACK 1



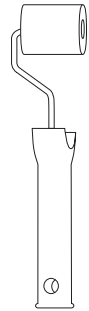
1/2/3x

Thermal Paste P12



1x

Thermal Paste Roller  
Article Number: 15000500  
separately available



1x

## PACKING KIT 1



2x



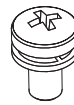
2x



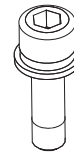
2x



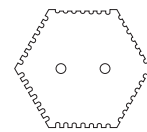
3x



9x



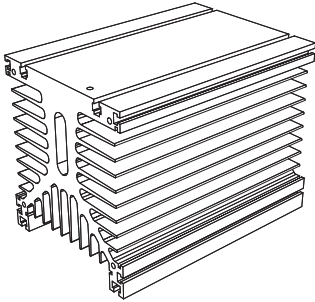
6x



1x

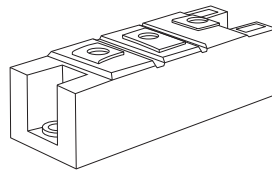
# SEMIPACK 2

Heatsink



1x

SEMIPACK 2



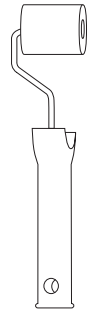
1/2/3x

Thermal Paste P12



1x

Thermal Paste Roller  
Article Number: 15000500  
separat^ly available

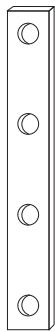


1x

## PACKING KIT 2



2x



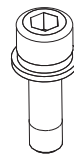
2x



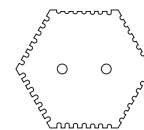
3x



9x



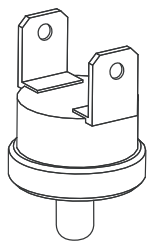
6x



1x

# THERMO SWITCH

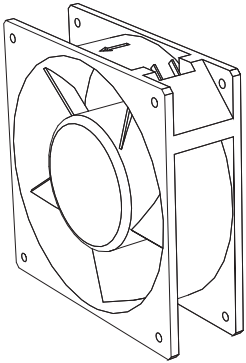
Article Number  
30138940 (80°C)  
30121470 (95°C)



1x

# FAN KIT

Ventilator



1x

KIT P3 Fan Option



4x



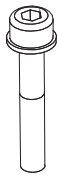
4x



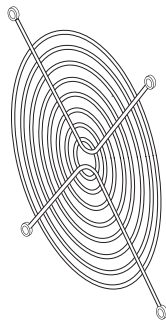
4x



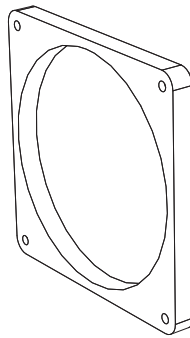
4x



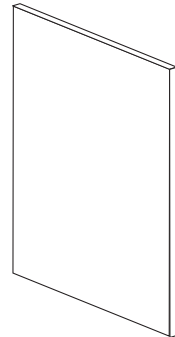
4x



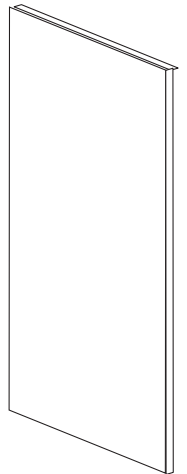
1x



1x

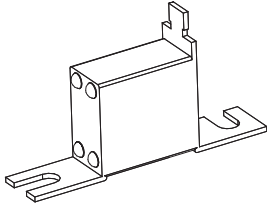


3x



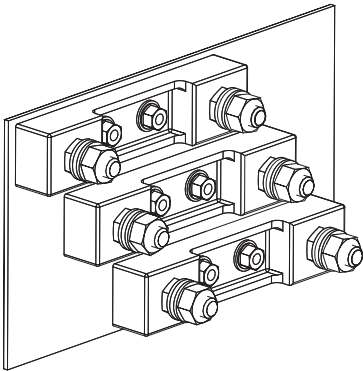
3x

# FUSE STACKKIT

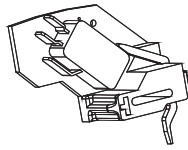


3x

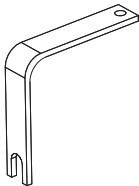
## KIT P3 Fuse Option



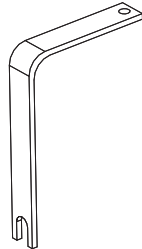
1x



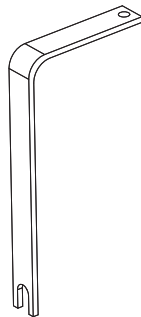
3x



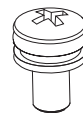
1x




1x



1x



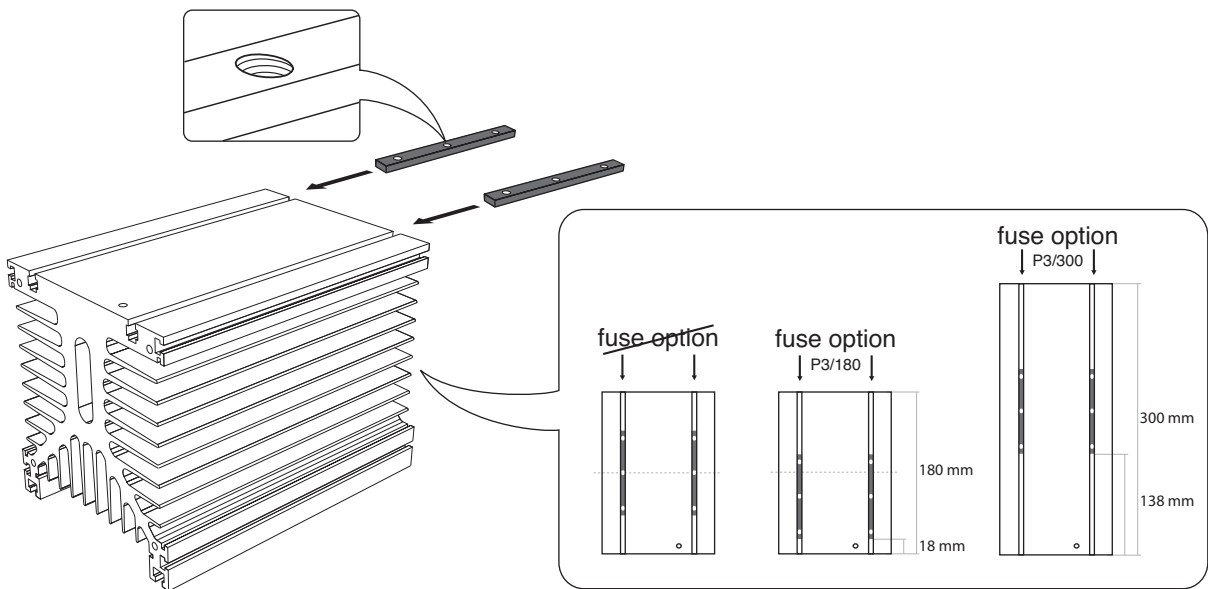
3x

 CLEAN SURFACE  
USE CORRECT TOOL KIT  
ASSEMBLE AT ROOM TEMPERATURE

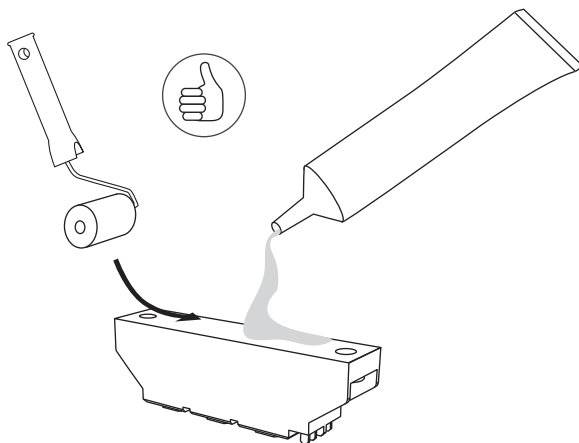


INFO: WWW.SINDOPOWER.COM

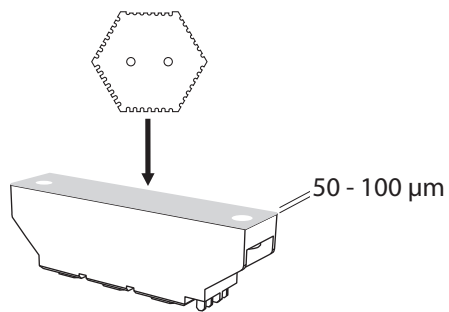
1



2




3



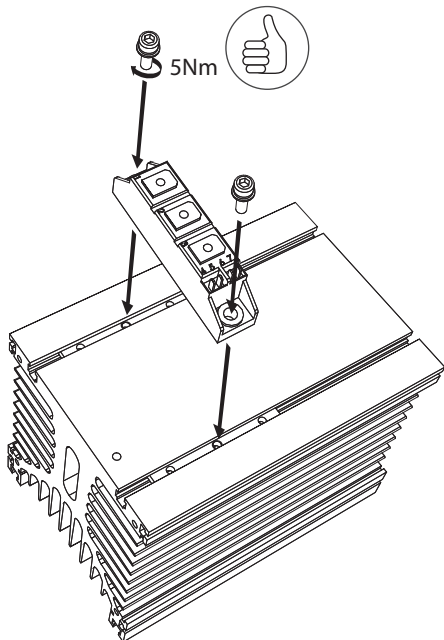
[www.sindopower.com/out/pictures/wysiwigpro/Measurement.pdf](http://www.sindopower.com/out/pictures/wysiwigpro/Measurement.pdf)



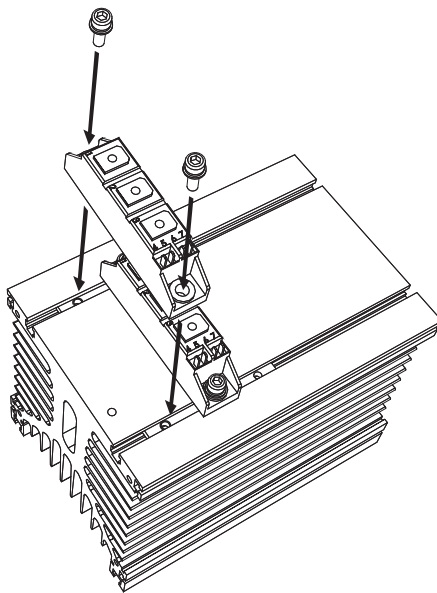
 CLEAN BOTTOM OF SEMIPACKS  
AND TOP OF HEATSINK



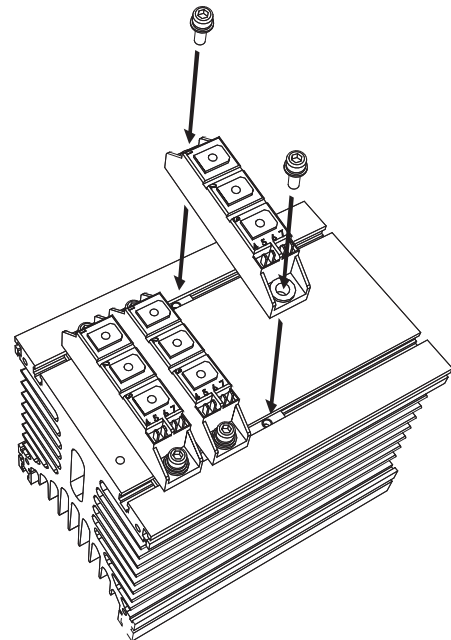
# 4



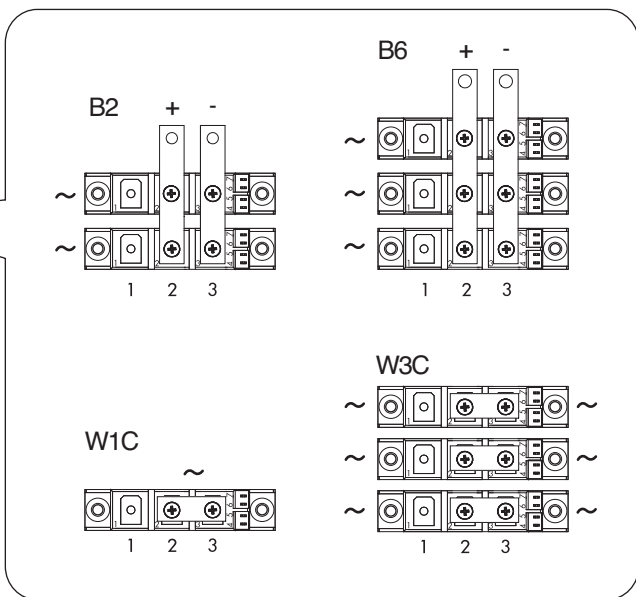
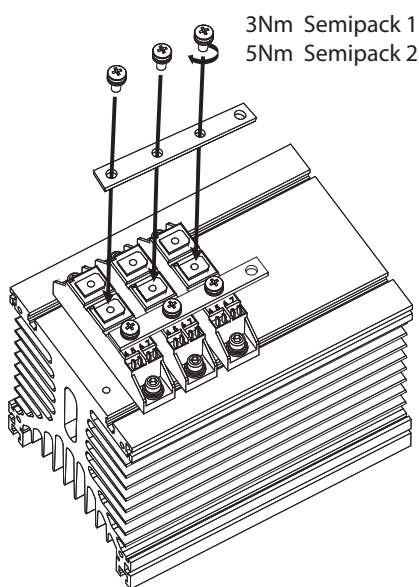
# 5



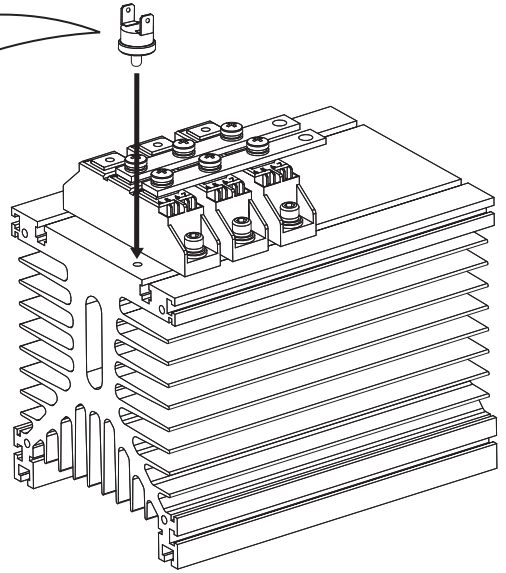
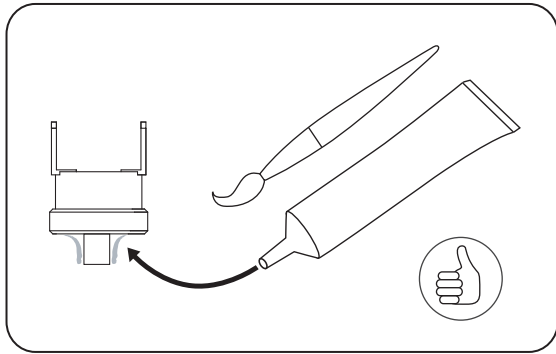
# 6



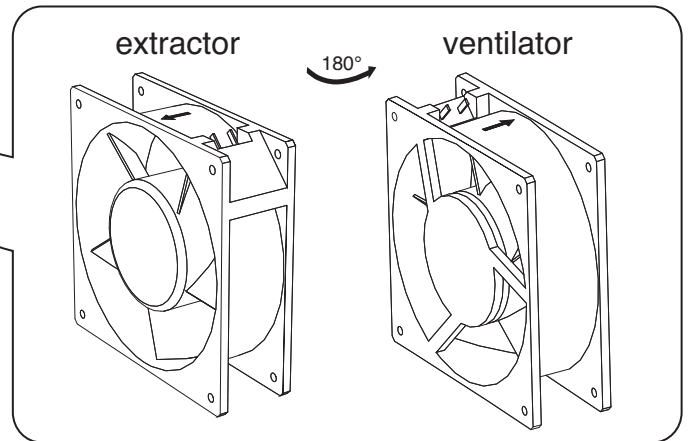
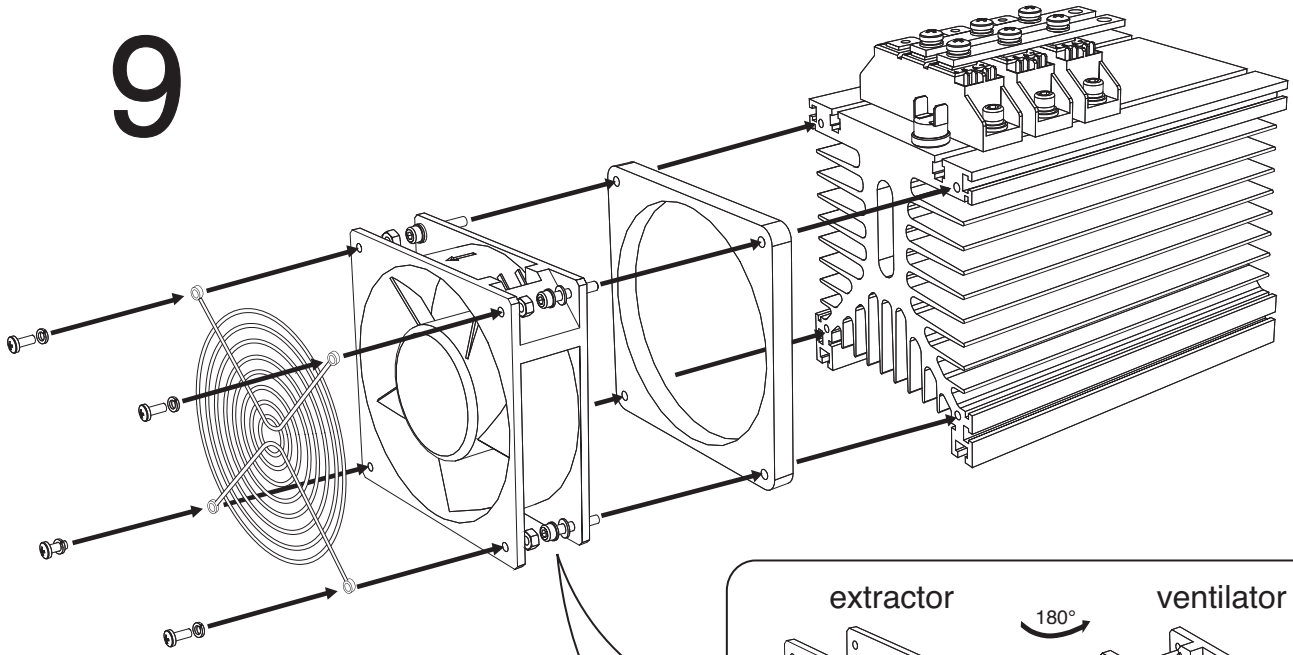
# 7



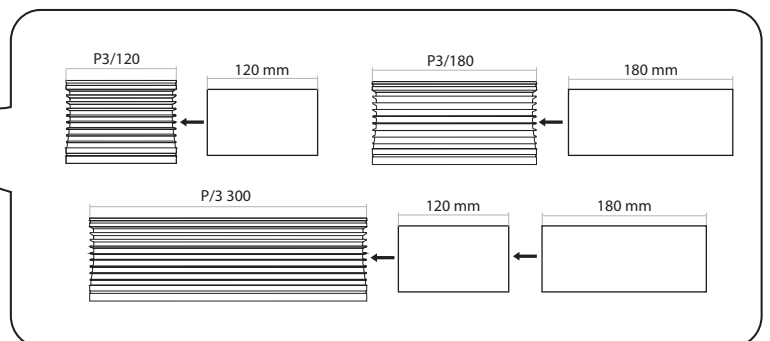
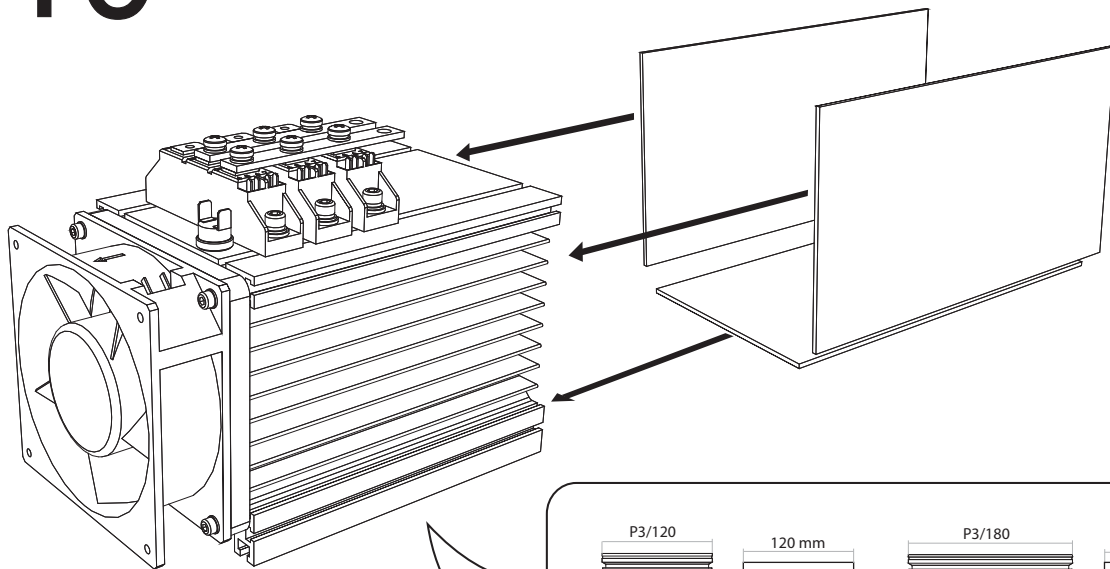
# 8

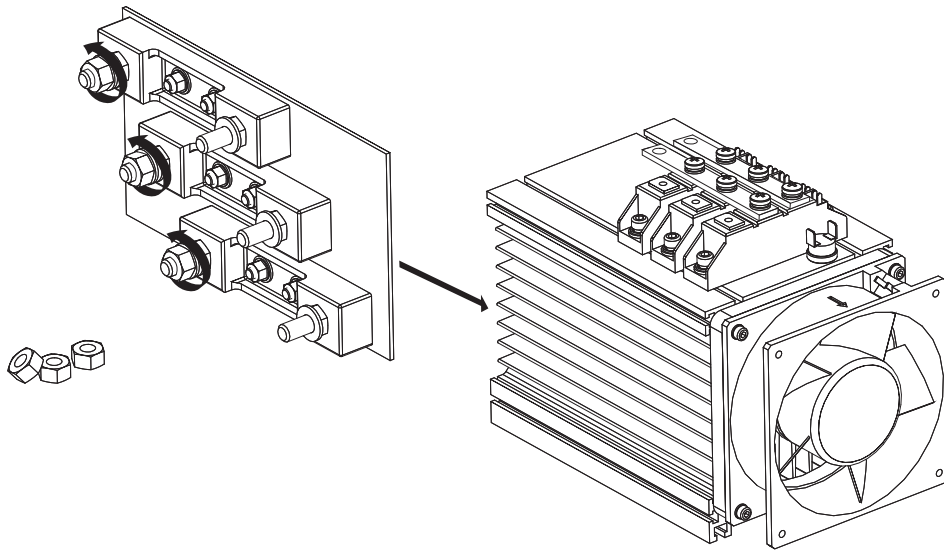


# 9

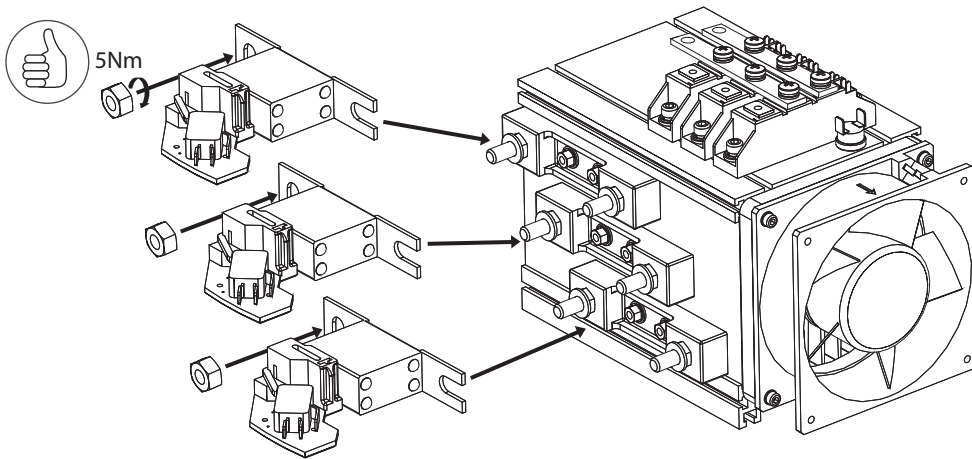


# 10

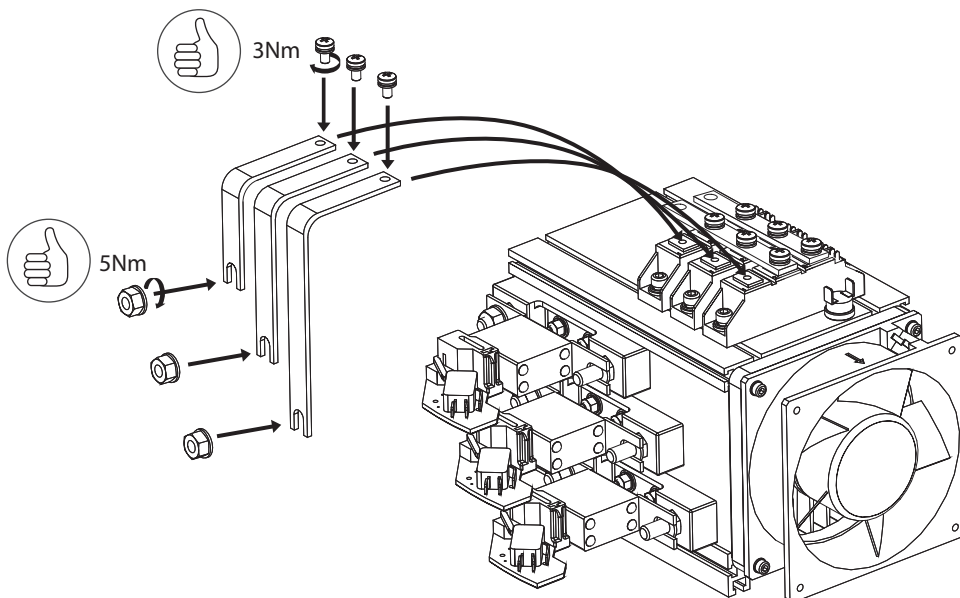




11



12



13