



Thyristor Presspack stack

SEMISTACK® CLASSICS - W3C

Three phase reverse parallel thyristor converter

Preliminary Data

Ordering No. 08785207
Description SKS 950F W3C 825 V16 SU

Features

- Non-isolated power stacks
- SKT 760/16
- Heatsink P17/130
- Forced air cooling
- RC circuit included
- Fuses with microswitches
- Thermal trip included

Typical Applications

- Soft starters

Remarks

This technical information specifies semiconductor devices but promises no characteristics. No warranty or guarantee, expressed or implied, is made regarding delivery, performance or suitability.

Electrical Characteristics						
Symbol	Conditions		min	typ	max	Unit
Electrical Data						
I_{OUT}	Maximum output current	$T_{AMBIENT} = 35^{\circ}C$; No overload		950		A_{RMS}
V_{AC}	Maximum AC voltage (+/-10%)			500		V_{AC}
P_{TOTAL}	Maximum stack power			825		kW
P_{LOSS}	Stack power loss ($T_{AMBIENT} = 35^{\circ}C$)					W

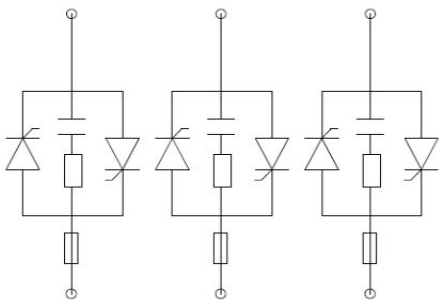
Environmental Data						
Symbol	Conditions		min	typ	max	Unit
Mechanical Data						
Drawing	SEMIKRON document number.revision.version			11110906.02		-
Weight	Approximate total weight			45.4		kg
Altitude	Installation altitude without derating				1 000	m
Protection	IEC 60529			IP00		-
Pollution Degree	EN 50178			2		-

Fan Data			
Type	SEMIKRON fan designation	SKF 17A-230-11	-
V_{FAN}	Fan voltage	230	V_{AC}
f_{FAN}	Fan frequency	50/60	Hz
I_{FAN}	Fan maximum input current	0.36/0.51	A
P_{FAN}	Fan power	81/115	W

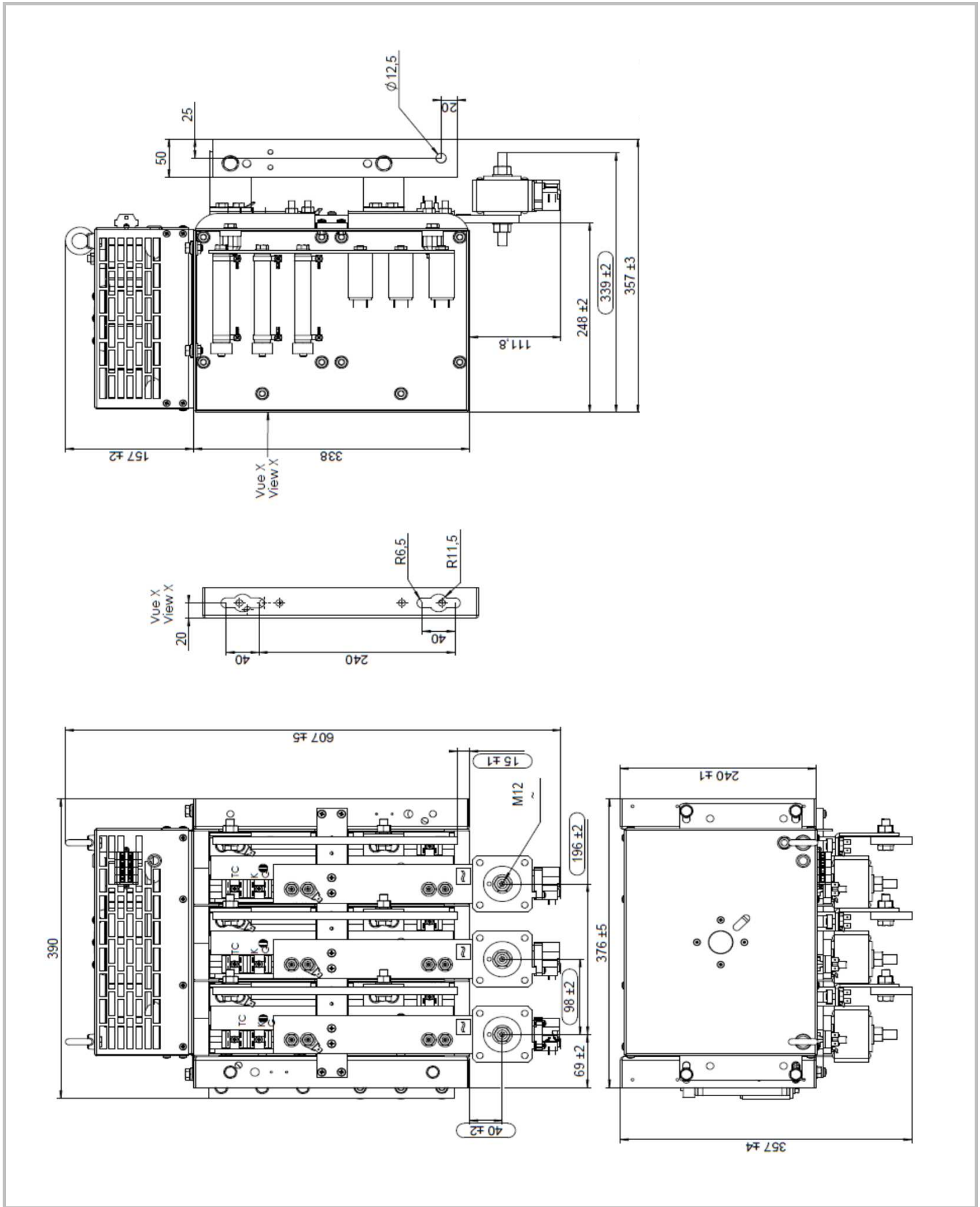
Stack Protection						
Symbol	Conditions		min	typ	max	Unit
RC Circuit						
Type	RC in parallel with each switch			-		-
R	Resistance (80W)			33		Ohm
C				0.47		μF

Fuses			
Size	1 fuse per phase, with microswitches	33	-
$I_{N RMS}$	Caliber	1 250	A
U_N	Nominal voltage (IEC)	690	V
I^2t	Total at U_N at room temperature (approx. 20...25°C)		1 942.5 kA ² s

Bimetal Thermal Trip			
T_S	Switching temperature over which thermal trip is open	95	°C
$I_{TC MAX}$	Maximum permissible current	1	A
		at 30Vdc	3



W3C



Dimensions

This technical information specifies semiconductor devices but promises no characteristics. No warranty or guarantee expressed or implied is made regarding delivery, performance or suitability.