

Diode Module stack

SEMISTACK® CLASSICS - B6U

Three phase uncontrolled rectifier

Preliminary data

Ordering No. 08785129

Description SKS 91N B6U 60 V16 SU

Features

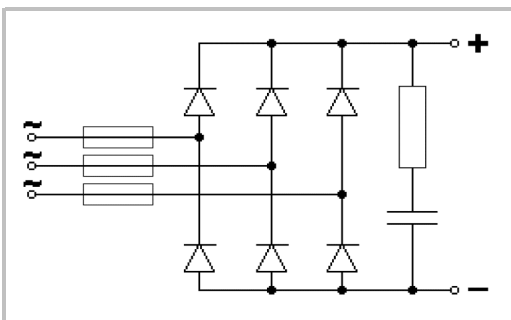
- Isolated power stacks
- SKKD 100/16
- Heatsink P3/180
- Natural cooling
- RC circuit included
- Fuses with microswitches

Typical Applications

- Power supplies
- Rectifier for AC/DC motor control

Remarks

This technical information specifies semiconductor devices but promises no characteristics. No warranty or guarantee, expressed or implied, is made regarding delivery, performance or suitability.



B6U

Electrical Characteristics

Symbol	Conditions		min	typ	max	Unit
Electrical Data						
I_D	Maximum DC current	$T_{AMBIENT} = 45^\circ\text{C}$; No overload		91		A
V_{AC}	Maximum AC voltage (+/-10%)			500		V_{AC}
V_{BUS}	DC Bus voltage			670		V_{DC}
P_{TOTAL}	Maximum stack power			60		kW
P_{LOSS}	Stack power loss ($T_{AMBIENT} = 45^\circ\text{C}$)					W

Environmental Data

Symbol	Conditions		min	typ	max	Unit
Mechanical Data						
Drawing	SEMIKRON document number.revision.version			12100902.00		-
Weight	Approximate total weight			4.5		kg
Altitude	Installation altitude without derating				1 000	m
Protection	IEC 60529			IP00		-
Pollution degree	EN 50178			2		-

Stack Protection

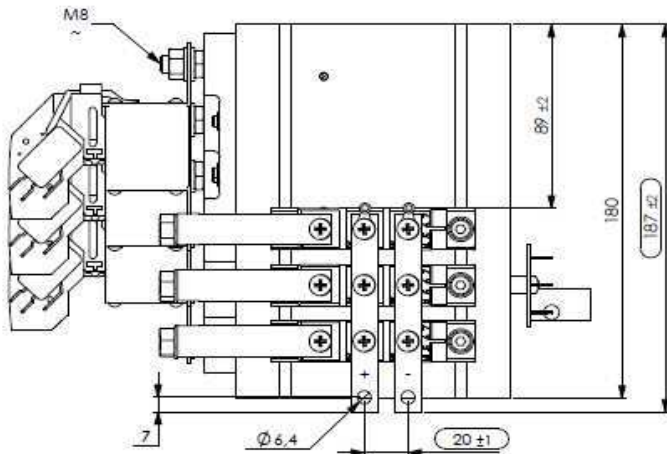
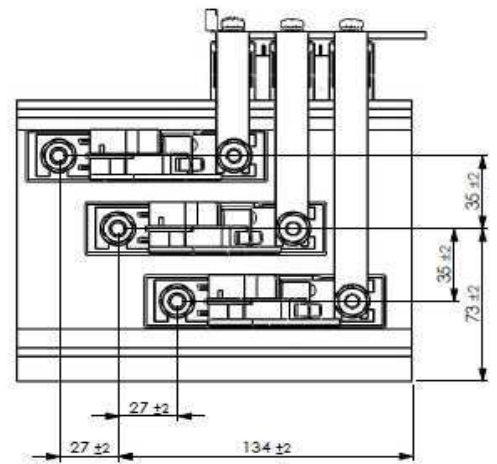
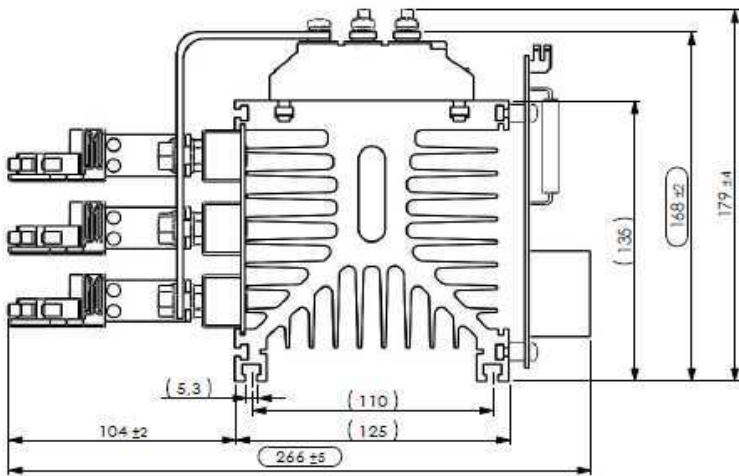
Symbol	Conditions		min	typ	max	Unit
RC Circuit						
Type	RC in parallel with bridge rectifier			1/2 RC15B		-
R	Resistance (11W)			68		Ohm
C				0.1		μF

Fuses

Size	1 fuse per phase, with microswitches		000		-
$I_{N\text{ RMS}}$	Caliber		160		A
U_N	Nominal voltage (IEC)		690		V
I^2t	Total at U_N at room temperature (approx. 20...25°C)			17.44	kA^2s

T_{AMBIENT} = 45°C ; No overload

Stack power loss (T_{AMBIENT} = 45°C)



Dimensions

This technical information specifies semiconductor devices but promises no characteristics. No warranty or guarantee expressed or implied is made regarding delivery, performance or suitability.