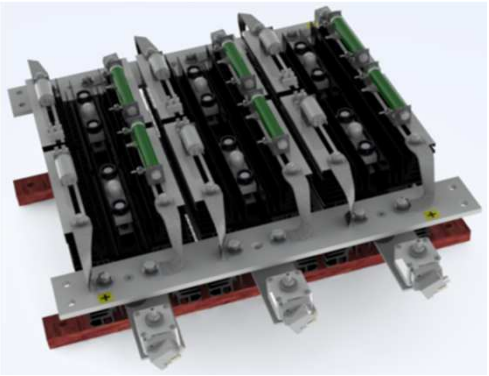


# SKS 700N B6HK 470 V16 SU



Thyristor/Diode Presspack stack

Electrical Characteristics						
Symbol	Conditions		min	typ	max	Unit
Electrical Data						
$I_D$	Maximum DC current	$T_{AMBIENT} = 45^\circ\text{C}$ ; No overload		700		A
$V_{AC}$	Maximum AC voltage (+/-10%)			500		$V_{AC}$
$V_{BUS}$	DC Bus voltage			670		$V_{DC}$
$P_{TOTAL}$	Maximum stack power			470		kW
$P_{LOSS}$	Stack power loss ( $T_{AMBIENT} = 45^\circ\text{C}$ )					W

Environmental Data						
Symbol	Conditions		min	typ	max	Unit
Mechanical Data						
Drawing	SEMIKRON document number.revision.version			12100502.00.B		-
Weight	Approximate total weight			59.5		kg
Altitude	Installation altitude without derating				1 000	m
Protection	IEC 60529			IP00		-
Pollution degree	EN 50178			2		-

## SEMISTACK® CLASSICS - B6HK

Three phase half-controlled rectifier

### Preliminary Data

Ordering No. 08800502  
Description SKS 700N B6HK 470 V16 SU

### Features

- Non-isolated power stacks
- SKN 1500/16 / SKT 760/16
- Heatsink P11/415
- Natural cooling
- RC circuit included
- Fuses with microswitches

### Typical Applications

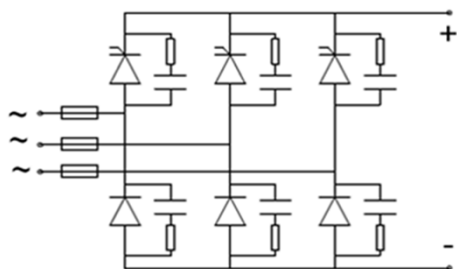
- Soft charge
- Industrial heating

### Remarks

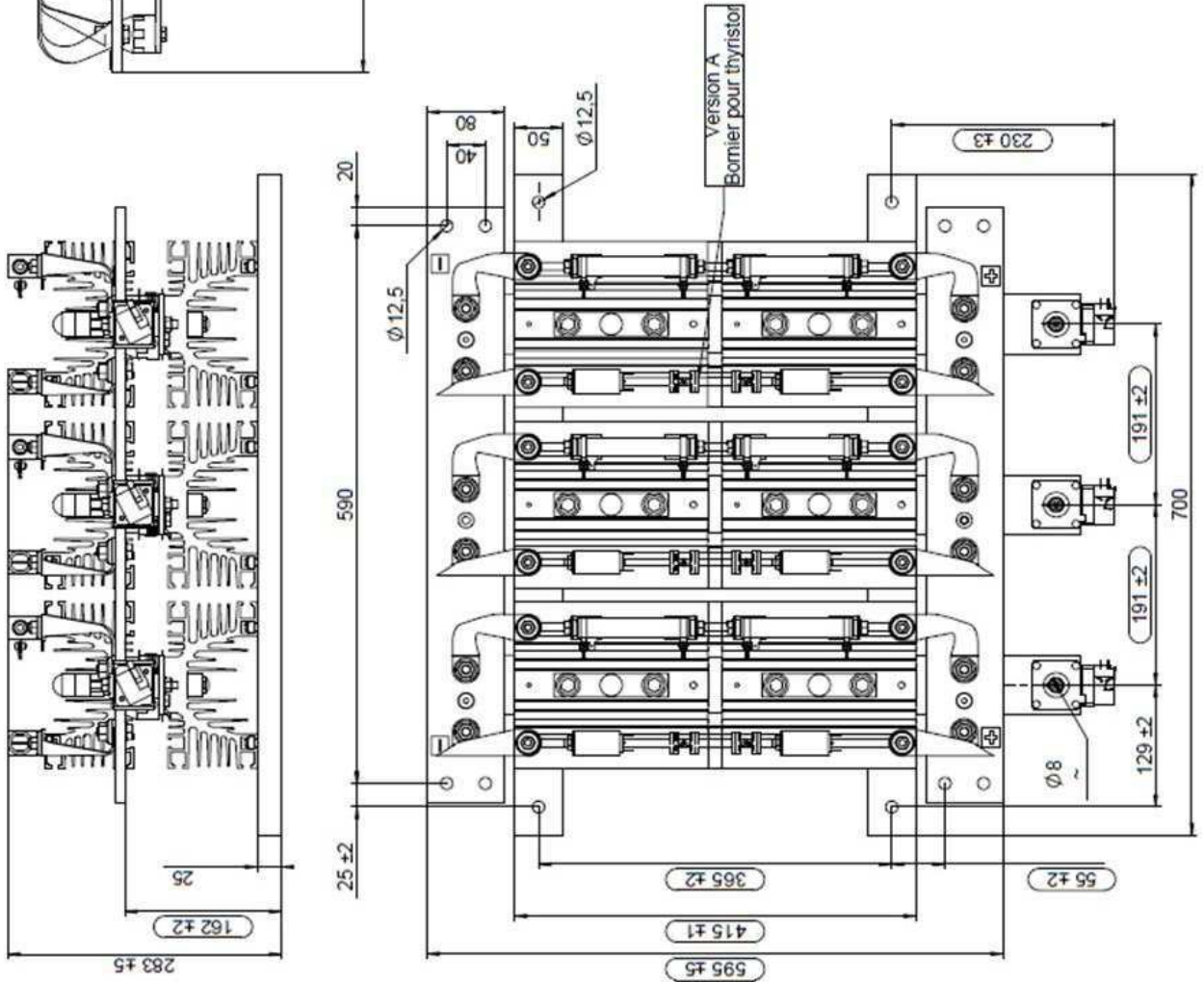
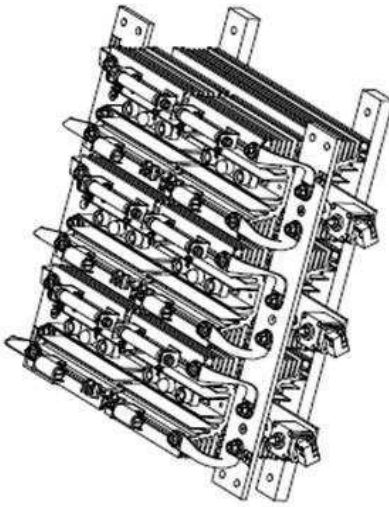
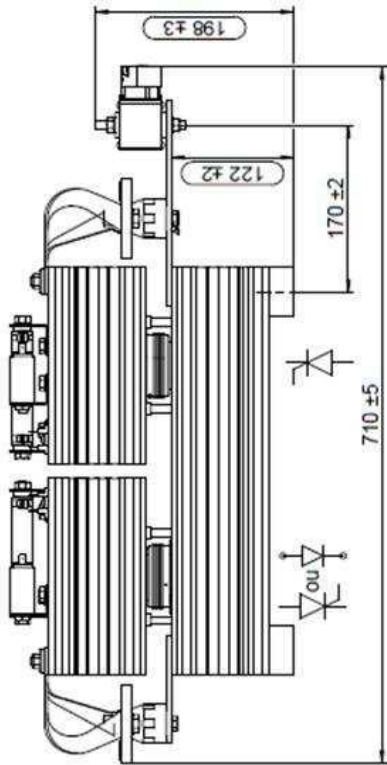
This technical information specifies semiconductor devices but promises no characteristics. No warranty or guarantee, expressed or implied, is made regarding delivery, performance or suitability.

Stack Protection						
Symbol	Conditions		min	typ	max	Unit
RC Circuit						
Type	RC in parallel with each electrical switch			-		-
R	Resistance (80W)			33		Ohm
C				0.47		$\mu\text{F}$

Fuses						
Symbol	Conditions		min	typ	max	Unit
Size	1 fuse per phase, with microswitches			31		-
$I_{N\text{RMS}}$	Caliber			700		A
$U_N$	Nominal voltage (IEC)			690		V
$I^2t$	Total at $U_N$ at room temperature (approx. 20...25°C)			514.5		$\text{kA}^2\text{s}$



B6HK



Dimensions

This technical information specifies semiconductor devices but promises no characteristics. No warranty or guarantee expressed or implied is made regarding delivery, performance or suitability.