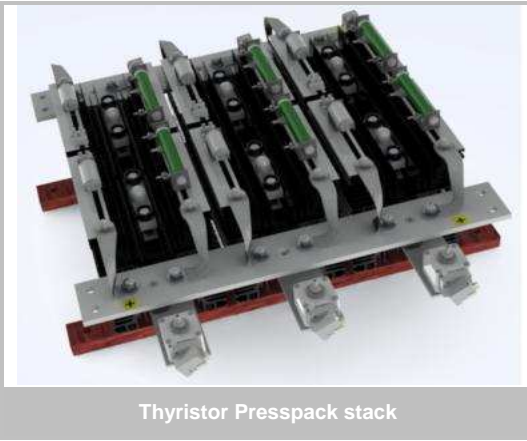


SKS 700N B6C 470 V16 SU



Thyristor Presspack stack

Electrical Characteristics						
Symbol	Conditions		min	typ	max	Unit
Electrical Data						
I_D	Maximum DC current	$T_{AMBIENT} = 45^\circ\text{C}$; No overload		700		A
V_{AC}	Maximum AC voltage (+/-10%)			500		V_{AC}
V_{BUS}	DC Bus voltage			670		V_{DC}
P_{TOTAL}	Maximum stack power			470		kW
P_{LOSS}	Stack power loss ($T_{AMBIENT} = 45^\circ\text{C}$)					W

Environmental Data						
Symbol	Conditions		min	typ	max	Unit
Mechanical Data						
Drawing	SEMIKRON document number.revision.version			12100502.00.A		-
Weight	Approximate total weight			59.5		kg
Altitude	Installation altitude without derating				1 000	m
Protection	IEC 60529			IP00		-
Pollution Degree	EN 50178			2		-

SEMISTACK® CLASSICS - B6C

Three phase controlled rectifier

Preliminary Data

Ordering No. 08785013
Description SKS 700N B6C 470 V16 SU

Features

- Non-isolated power stacks
- SKT 760/16
- Heatsink P11/415
- Natural cooling
- RC circuit included
- Fuses with microswitches

Typical Applications

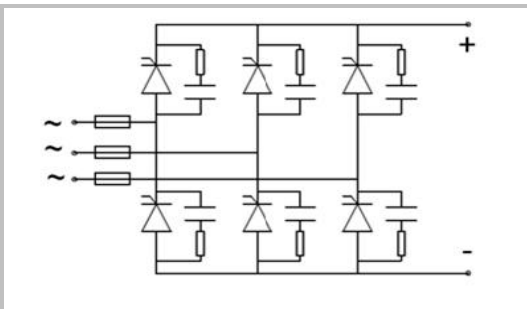
- Regulated power supplies
- Alternator excitation
- Motor control

Remarks

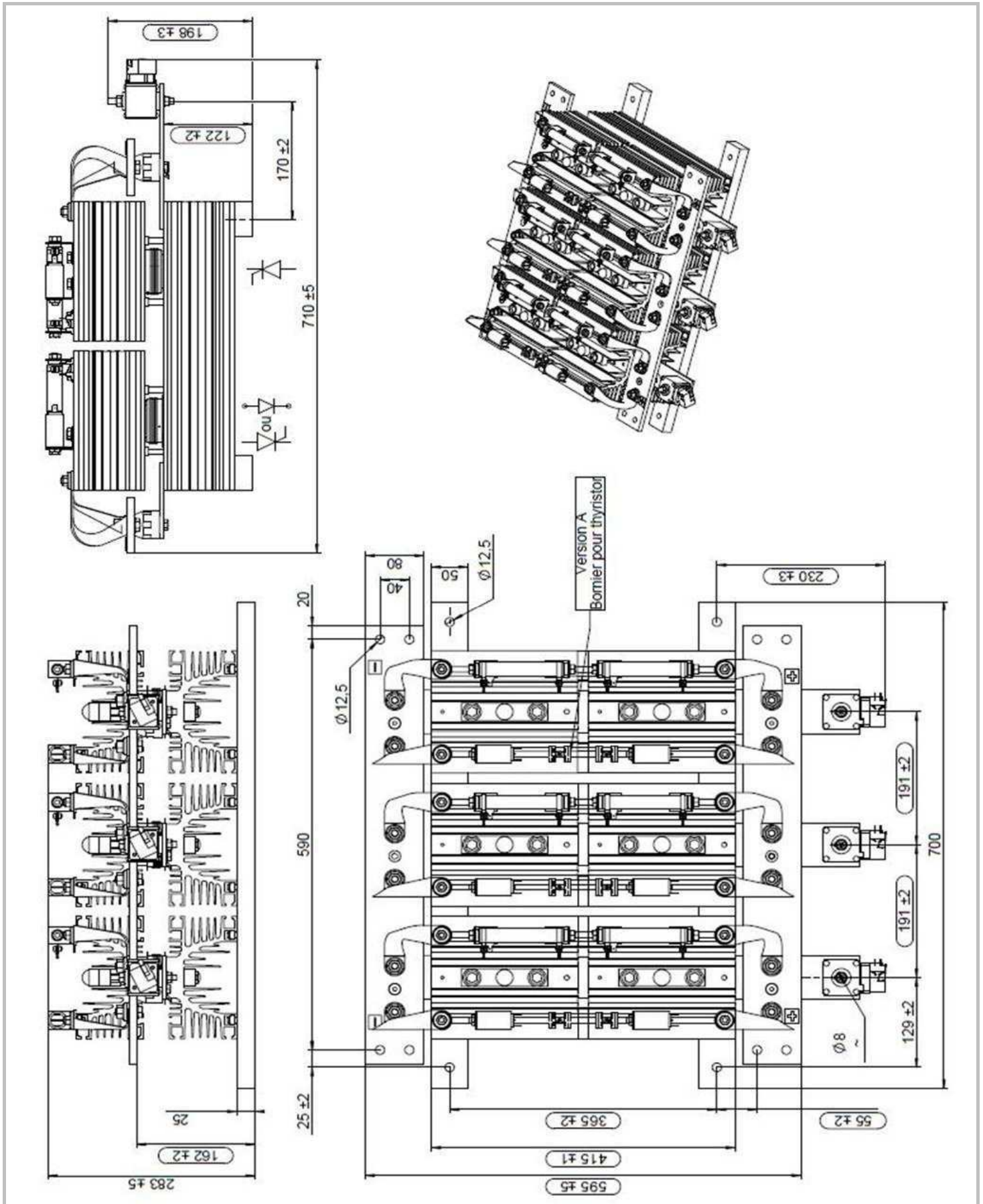
This technical information specifies semiconductor devices but promises no characteristics. No warranty or guarantee, expressed or implied, is made regarding delivery, performance or suitability.

Stack Protection						
Symbol	Conditions		min	typ	max	Unit
RC Circuit						
Type	RC in parallel with each electrical switch			-		-
R	Resistance (80W)			33		Ohm
C				0.47		μF

Fuses						
Symbol	Conditions		min	typ	max	Unit
Fuses						
Size	1 fuse per phase, with microswitches			31		-
$I_{N\text{RMS}}$	Caliber			700		A
U_N	Nominal voltage (IEC)			690		V
I^2t	Total at U_N at room temperature (approx. 20...25°C)				515	kA^2s



B6C



Dimensions

This technical information specifies semiconductor devices but promises no characteristics. No warranty or guarantee expressed or implied is made regarding delivery, performance or suitability.