



Diode Module stack

Electrical Characteristics						
Symbol	Conditions		min	typ	max	Unit
Electrical Data						
ID	Maximum DC current	TAMBIENT = 35°C ; No overload		290		A
VAC	Maximum AC voltage (+/-10%)			500		VAC
VBUS	DC Bus voltage			670		VDC
PTOTAL	Maximum stack power			195		kW
PLOSS	Stack power loss (TAMBIENT = 35°C)					W

Environmental Data						
Symbol	Conditions		min	typ	max	Unit
Mechanical Data						
Drawing	SEMIKRON document number.revision.version		11090806.01.A			-
Weight	Approximate total weight		~ 6,9			kg
Altitude	Installation altitude without derating				1 000	m
Protection	IEC 60529		IP00			
Pollution degree	EN 50178		2			

Fan Data						
Symbol	Conditions		min	typ	max	Unit
Fan Data						
Type	SEMIKRON fan designation		SKF 3-230-01			-
VFAN	Fan voltage		230			VAC
fFAN	Fan frequency		50/60			Hz
IFAN	Fan maximum input current		0.12/0.10			A
PFAN	Fan power		15/14			W

Stack Protection						
Symbol	Conditions		min	typ	max	Unit
RC Circuit						
Type	RC in parallel with bridge rectifier		1/2 RC15B			-
R	Resistance (11W)		68			Ohm
C			0.1			µF

Bimetal Thermal Trip						
Symbol	Conditions		min	typ	max	Unit
Bimetal Thermal Trip						
TS	Switching temperature over which thermal trip is open		90			°C
ITC MAX	Maximum permissible current		1			A
	at 30VDC		3			A

SEMISTACK® CLASSICS - B6U

Three phase uncontrolled rectifier

Preliminary data

Ordering No. 08785124

Description SKS 290F B6U 195 V16

Features

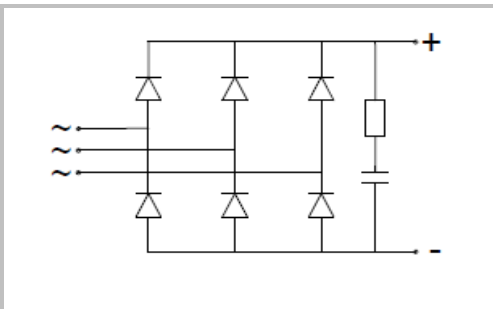
- Isolated power stacks
- SKKD 162/16
- Heatsink P3/265
- Forced air cooling
- RC circuit included
- Thermo trip included

Typical Applications

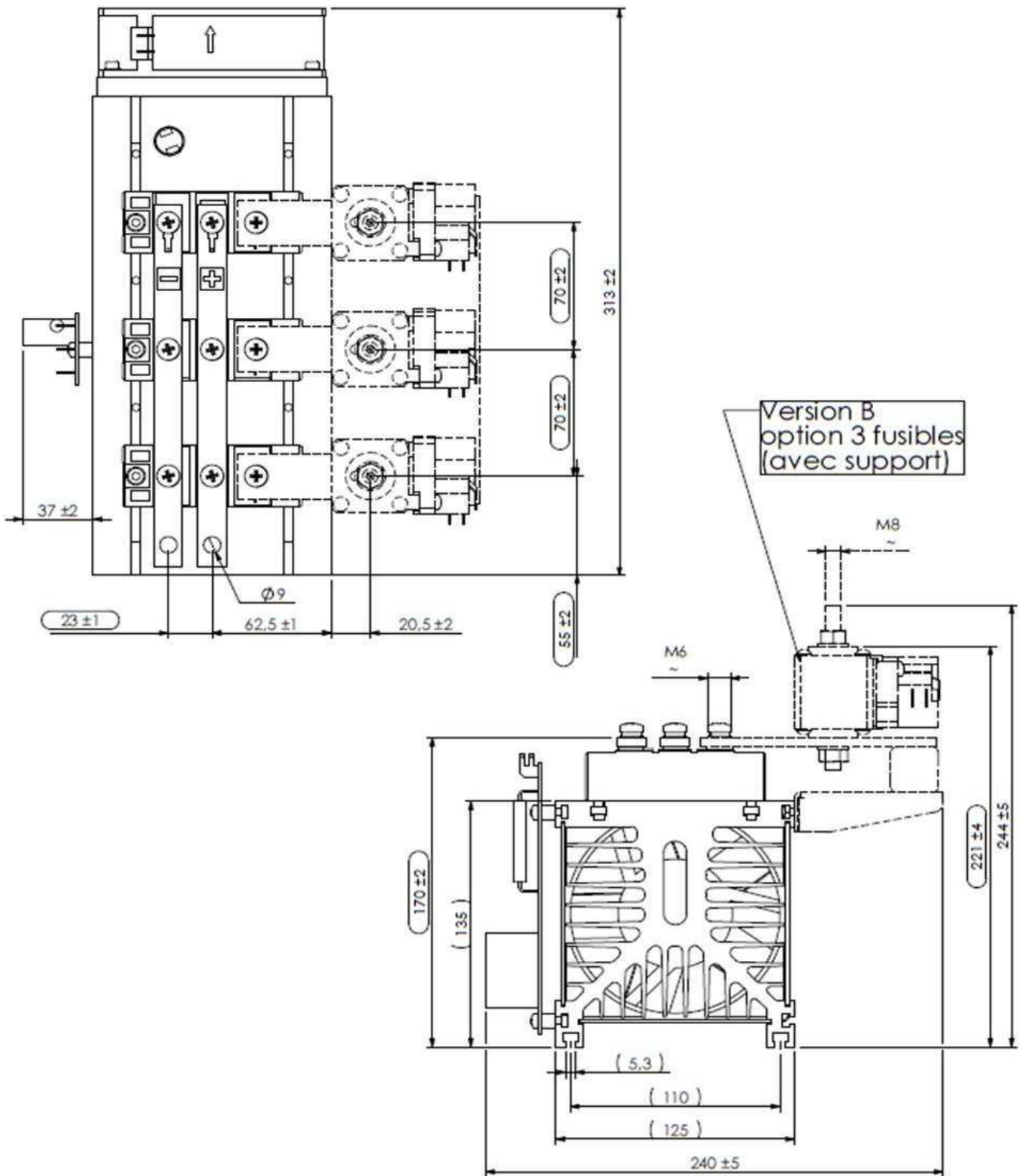
- Power supplies
- Rectifier for AC/DC motor control

Remarks

This technical information specifies semiconductor devices but promises no characteristics. No warranty or guarantee, expressed or implied, is made regarding delivery, performance or suitability.



B6U



Dimensions

This technical information specifies semiconductor devices but promises no characteristics. No warranty or guarantee expressed or implied is made regarding delivery, performance or suitability.