

SKS 275N W3C 240 V16



Thyristor Stud stack

| Electrical Characteristics | | | | | | |
|----------------------------|--|---|-----|-----|-----|-----------|
| Symbol | Conditions | | min | typ | max | Unit |
| Electrical Data | | | | | | |
| I_{OUT} | Maximum output current | $T_{AMBIENT} = 45^{\circ}C$; No overload | | 275 | | A_{RMS} |
| V_{AC} | Maximum AC voltage (+/-10%) | | | 500 | | V_{AC} |
| P_{TOTAL} | Maximum stack power | | | 240 | | kW |
| P_{LOSS} | Stack power loss ($T_{AMBIENT} = 45^{\circ}C$) | | | | | W |

| Environmental Data | | | | | | |
|--------------------|---|--|-----|---------------|-------|------|
| Symbol | Conditions | | min | typ | max | Unit |
| Mechanical Data | | | | | | |
| Drawing | SEMIKRON document number.revision.version | | | 12051002.01.A | | - |
| Weight | Approximate total weight | | | 18.7 | | kg |
| Altitude | Installation altitude without derating | | | | 1 000 | m |
| Protection | IEC 60529 | | | IP00 | | - |
| Pollution Degree | EN 50178 | | | 2 | | - |

SEMISTACK® CLASSICS - W3C

Three phase reverse parallel thyristor converter

Preliminary Data

Ordering No. 08785214
Description SKS 275N W3C 240 V16

Features

- Non-isolated power stacks
- SKT 300/16
- Heatsink P1/200
- Natural cooling
- RC circuit included

Typical Applications

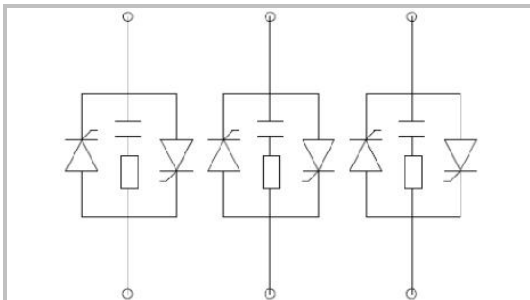
- Soft starters

Remarks

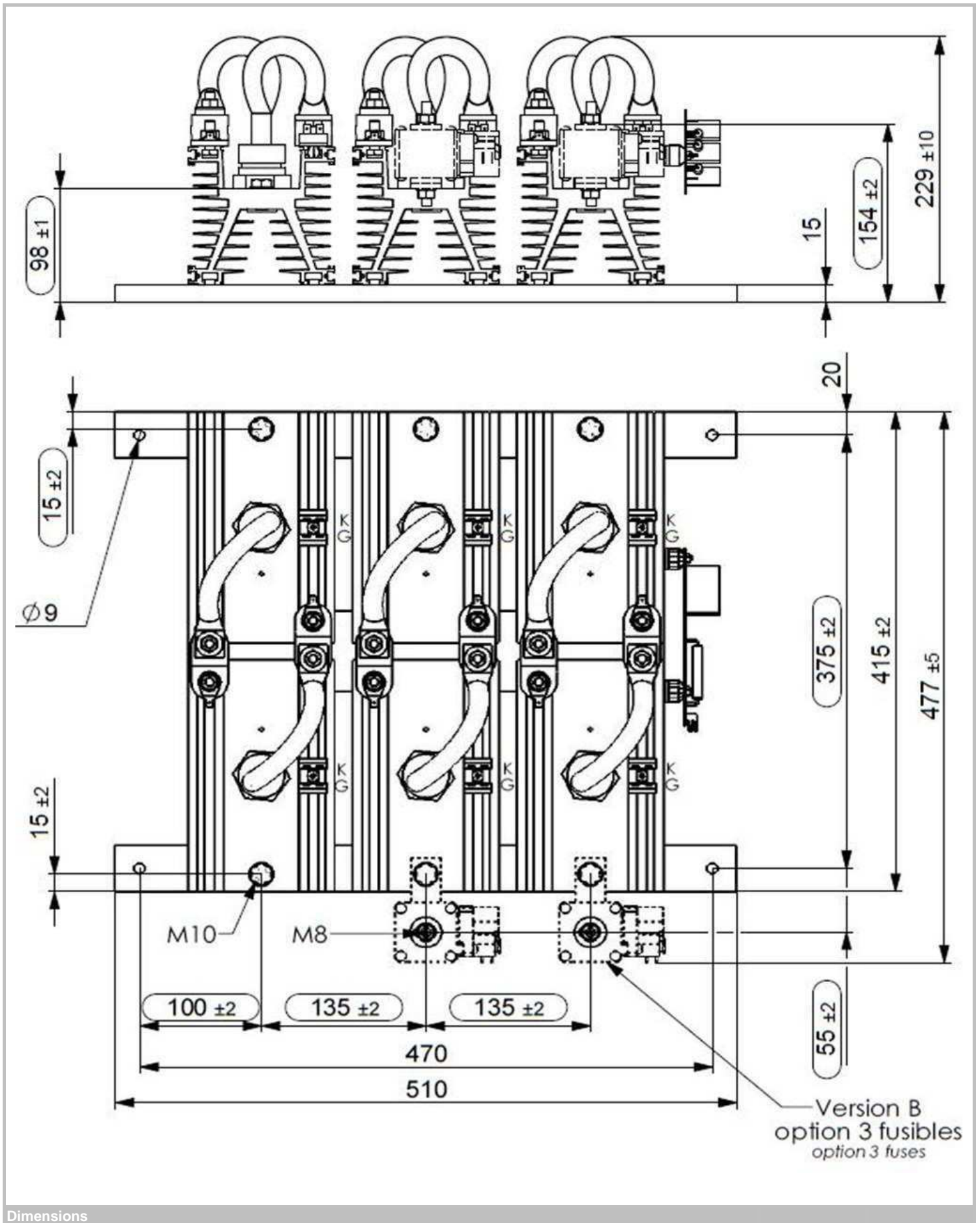
This technical information specifies semiconductor devices but promises no characteristics. No warranty or guarantee, expressed or implied, is made regarding delivery, performance or suitability.

Stack Protection

| Symbol | Conditions | | min | typ | max | Unit |
|------------|---------------------------------|--|-----|-------|-----|---------|
| RC Circuit | | | | | | |
| Type | RC in parallel with each switch | | | RC25B | | - |
| R | Resistance (10W) | | | 68 | | Ohm |
| C | | | | 0.1 | | μF |



W3C



Dimensions

This technical information specifies semiconductor devices but promises no characteristics. No warranty or guarantee expressed or implied is made regarding delivery, performance or suitability.