



Thyristor/Diode stack

Electrical Characteristics						
Symbol	Conditions		min	typ	max	Unit
Electrical Data						
$I_D$	Maximum DC current	$T_{amb} = 35^\circ\text{C}$ ; No overload		2 580		A
$V_{AC}$	Maximum AC voltage (+/-10%)			500		$V_{AC}$
$V_{BUS}$	DC Bus voltage			670		$V_{DC}$
$P_{TOTAL}$	Maximum stack power			1 730		kW
$P_{LOSS}$	Stack power loss ( $T_{AMBIENT} = 35^\circ\text{C}$ )					W

Environmental Data						
Symbol	Conditions		min	typ	max	Unit
Mechanical Data						
Drawing	SEMIKRON document number.revision.version			93041500.02.B		-
Weight	Approximate total weight			143,1		kg
Altitude	Installation altitude without derating				1 000	m
Protection	IEC 60529			IP00		-
Pollution degree	EN 50178			2		-

Fan Data						
Symbol	Conditions		min	typ	max	Unit
Fan Data						
Type	SEMIKRON fan designation			SKF N4-230-03		-
$V_{FAN}$	Fan voltage			230		$V_{AC}$
$f_{FAN}$	Fan frequency			50/60		Hz
$I_{FAN}$	Fan maximum input current			1.1/1.71		A
$P_{FAN}$	Fan power			250/390		W

Stack Protection						
Symbol	Conditions		min	typ	max	Unit
RC Circuit						
Type	RC in parallel with each electrical switch			-		-
R	Resistance (80W)			33		Ohm
C				0.47		$\mu\text{F}$

Fuses						
Symbol	Conditions		min	typ	max	Unit
Fuses						
Size	No fuses			-		-
$I_{N\text{RMS}}$	Caliber			-		A
$U_N$	Nominal voltage (IEC)			-		V
$I^2t$	Total at $U_N$ at room temperature (approx. 20...25°C)			-		$\text{kA}^2\text{s}$

Bimetal Thermal Trip						
Symbol	Conditions		min	typ	max	Unit
Bimetal Thermal Trip						
$T_S$	Switching temperature over which thermal trip is open			80		$^\circ\text{C}$
$I_{TC\text{MAX}}$	Maximum permissible current			1		A
				3		A

## SEMISTACK® CLASSICS - B6HK

Three phase half-controlled rectifier

### Preliminary Data

Ordering No. 08800487  
Description SKS 2580F B6HK 1730 V16

### Features

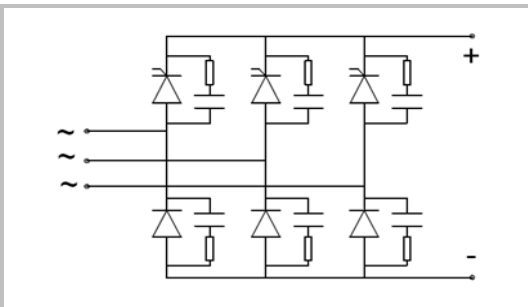
- Non-isolated power stacks
- AR2004 (SKN 2000) / SKT 1200/16
- Heatsink N4/250
- Forced air cooling
- RC circuit included
- Thermal trip included

### Typical Applications

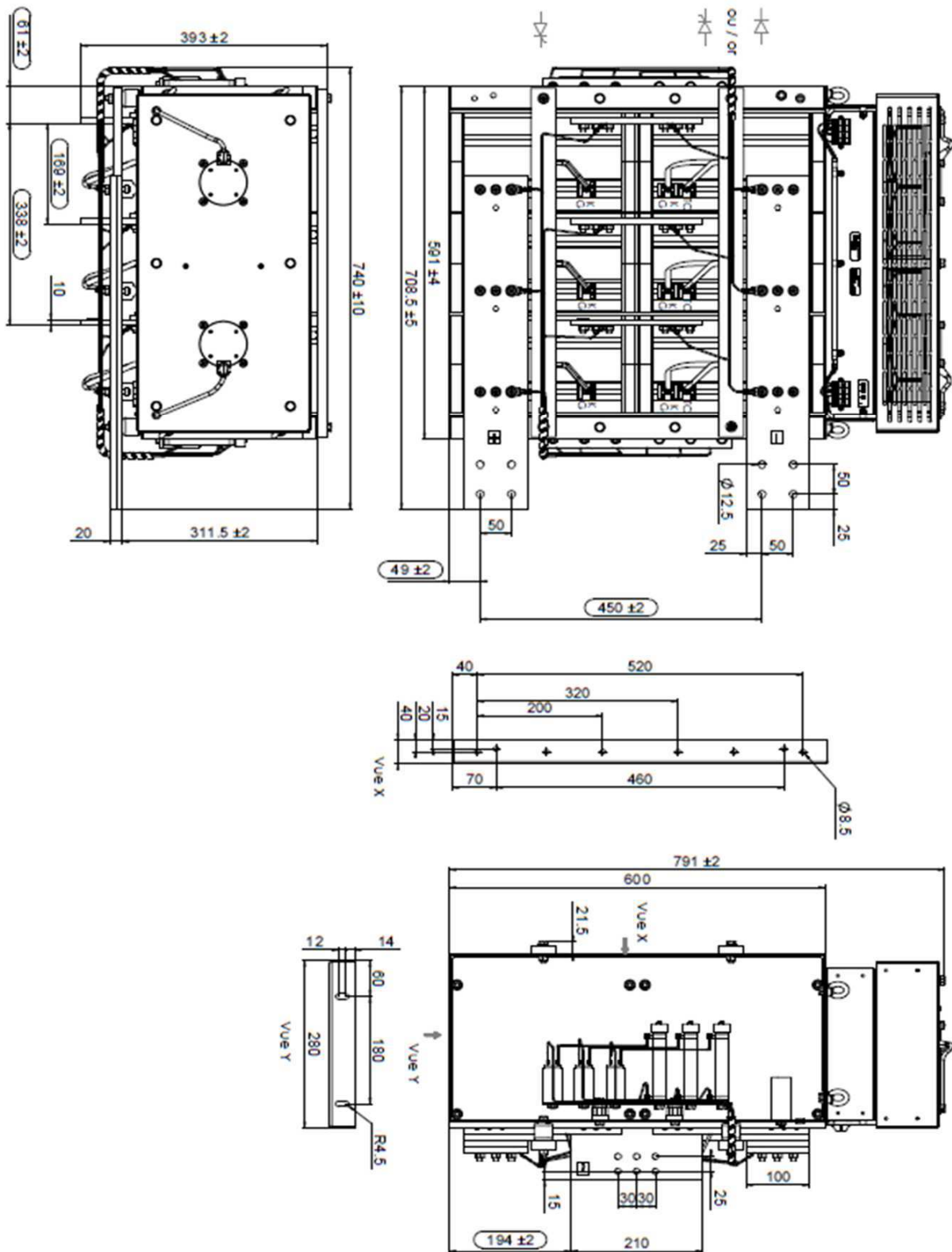
- Soft charge
- Industrial heating

### Remarks

This technical information specifies semiconductor devices but promises no characteristics. No warranty or guarantee, expressed or implied, is made regarding delivery, performance or suitability.



B6HK



Dimensions

This technical information specifies semiconductor devices but promises no characteristics. No warranty or guarantee expressed or implied is made regarding delivery, performance or suitability.