

Diode Presspack stack

## SEMISTACK® CLASSICS - B6U

Three phase uncontrolled rectifier

### Preliminary Data

Ordering No. 08785109

Description SKS 1630N B6U 1090 V16 ZU

### Features

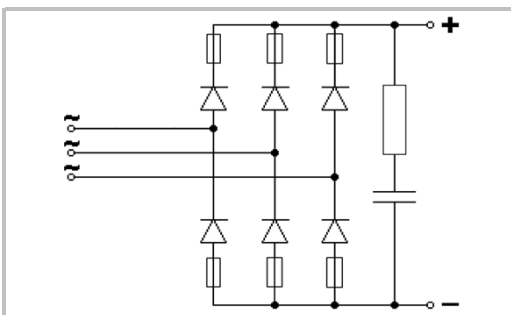
- Non-isolated power stacks
- SKN 1500/16
- Heatsink U3/515
- Natural cooling
- RC circuit included
- Fuses with microswitches

### Typical Applications

- Power supplies
- Rectifier for AC/DC motor control

### Remarks

This technical information specifies semiconductor devices but promises no characteristics. No warranty or guarantee, expressed or implied, is made regarding delivery, performance or suitability.



B6U

### Electrical Characteristics

Symbol	Conditions		min	typ	max	Unit
Electrical Data						
$I_D$	Maximum DC current	$T_{AMBIENT} = 45^\circ\text{C}$ ; No overload		1 630		A
$V_{AC}$	Maximum AC voltage (+/-10%)			500		$V_{AC}$
$V_{BUS}$	DC Bus voltage			670		$V_{DC}$
$P_{TOTAL}$	Maximum stack power			1 090		kW
$P_{LOSS}$	Stack power loss ( $T_{AMBIENT} = 45^\circ\text{C}$ )					W

### Environmental Data

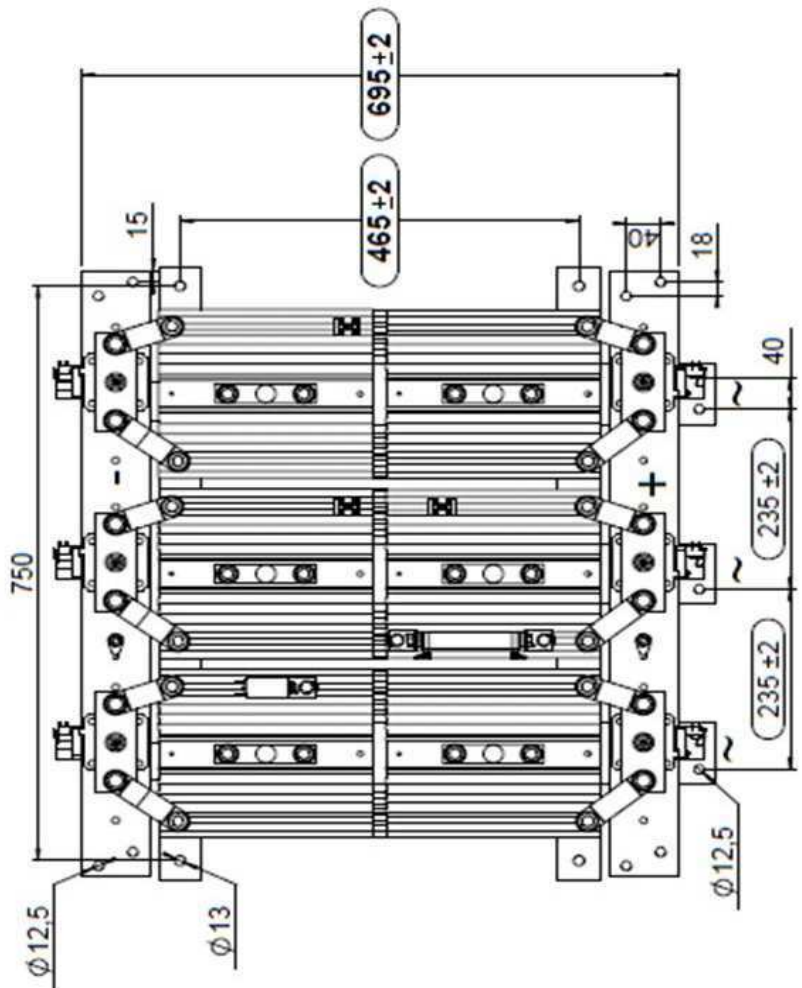
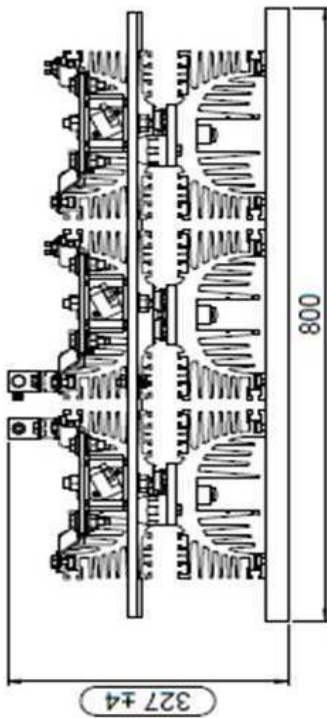
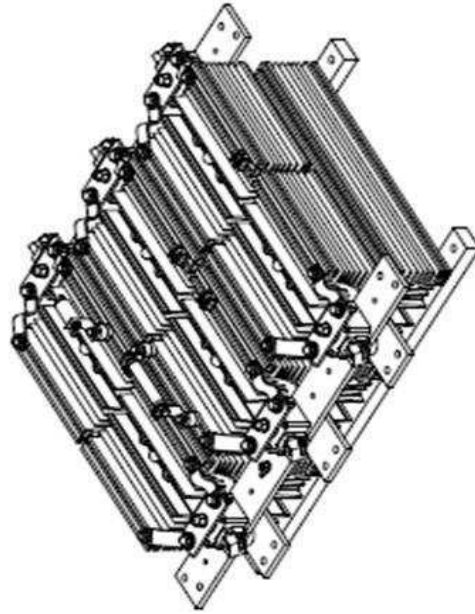
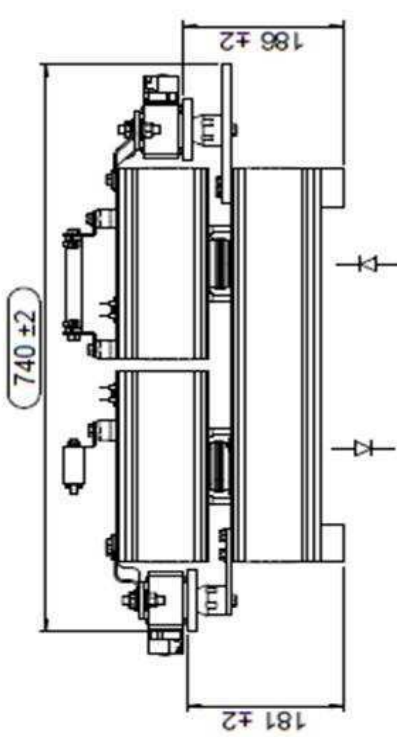
Symbol	Conditions		min	typ	max	Unit
Mechanical Data						
Drawing	SEMIKRON document number.revision.version			12092602.00		-
Weight	Approximate total weight			118.2		kg
Altitude	Installation altitude without derating				1 000	m
Protection	IEC 60529			IP00		-
Pollution degree	EN 50178			2		-

### Stack Protection

Symbol	Conditions		min	typ	max	Unit
RC Circuit						
Type	RC in parallel with bridge rectifier			-		-
R	Resistance (80W)			33		Ohm
C				0.47		$\mu\text{F}$

### Fuses

Size	1 fuse per switch, with microswitches		33		-
$I_{N\text{RMS}}$	Caliber		1 250		A
$U_N$	Nominal voltage (IEC)		690		V
$I^2t$	Total at $U_N$ at room temperature (approx. 20...25°C)			1 942.5	$\text{kA}^2\text{s}$



Dimensions

This technical information specifies semiconductor devices but promises no characteristics. No warranty or guarantee expressed or implied is made regarding delivery, performance or suitability.