

Diode Presspack stack

SEMISTACK® CLASSICS - B6U

Three phase uncontrolled rectifier

Preliminary Data

Ordering No. 08785108

Description SKS 1630N B6U 1090 V16

Features

- Non-isolated power stacks
- SKN 1500/16
- Heatsink U3/515
- Natural cooling
- RC circuit included

Typical Applications

- Power supplies
- Rectifier for AC/DC motor control

Remarks

This technical information specifies semiconductor devices but promises no characteristics. No warranty or guarantee, expressed or implied, is made regarding delivery, performance or suitability.

Electrical Characteristics

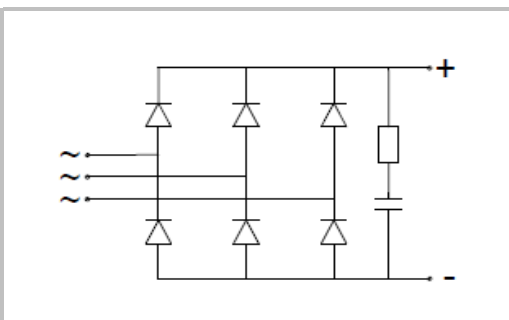
Symbol	Conditions		min	typ	max	Unit
Electrical Data						
I_D	Maximum DC current	$T_{AMBIENT} = 45^{\circ}C$; No overload		1 630		A
V_{AC}	Maximum AC voltage (+/-10%)			500		V_{AC}
V_{BUS}	DC Bus voltage			670		V_{DC}
P_{TOTAL}	Maximum stack power			1 090		kW
P_{LOSS}	Stack power loss ($T_{AMBIENT} = 45^{\circ}C$)					W

Environmental Data

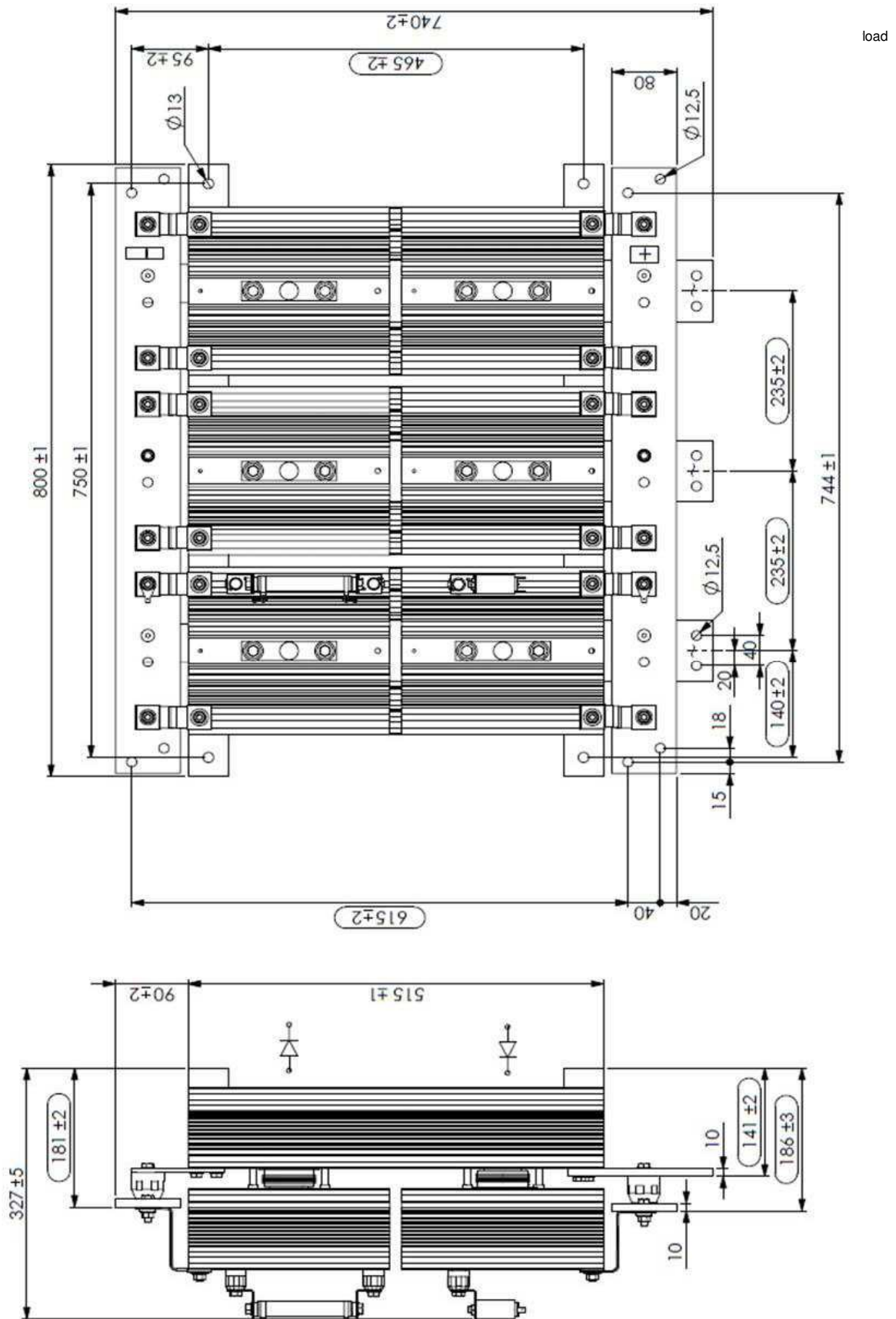
Symbol	Conditions		min	typ	max	Unit
Mechanical Data						
Drawing	SEMIKRON document number.revision.version			12062002.00		-
Weight	Approximate total weight			111.1		kg
Altitude	Installation altitude without derating				1 000	m
Protection	IEC 60529			IP00		-
Pollution degree	EN 50178			2		-

Stack Protection

Symbol	Conditions		min	typ	max	Unit
RC Circuit						
Type	RC in parallel with bridge rectifier			-		-
R	Resistance (80W)			33		Ohm
C				0.47		μF



B6U



load

Dimensions

This technical information specifies semiconductor devices but promises no characteristics. No warranty or guarantee expressed or implied is made regarding delivery, performance or suitability.