

Heatsink

Standard lengths	n	b / d Ø mm	R_{thha}	R_{thha}	w kg
			natural cooling K/W	with Fan SKF 3-230-01 K/W	
P 3/120	1	20	0,55 (100W)	0,167	2,1
	3		0,43 (150W)	0,147	
	6		0,36 (180W)	0,12	
P 3/180	2	20	0,39 (150W)	0,132	3,1
	3		0,36 (180W)	0,108	
	6		0,33 (200W)	0,144	
P 3/300	1	34		0,118	5,3
	3			0,0847	
	6				

For isolated power modules

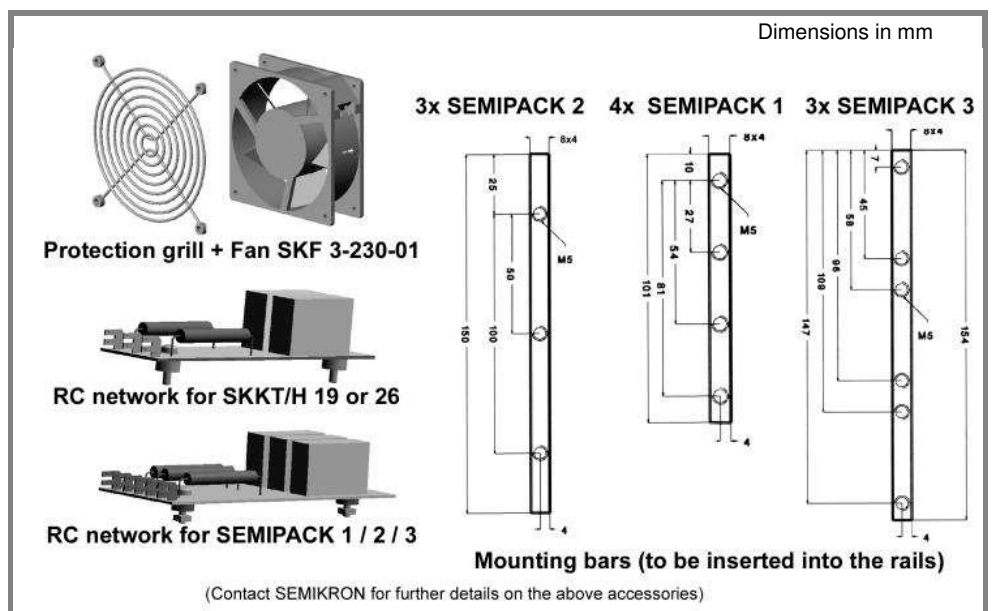
P 3

Features

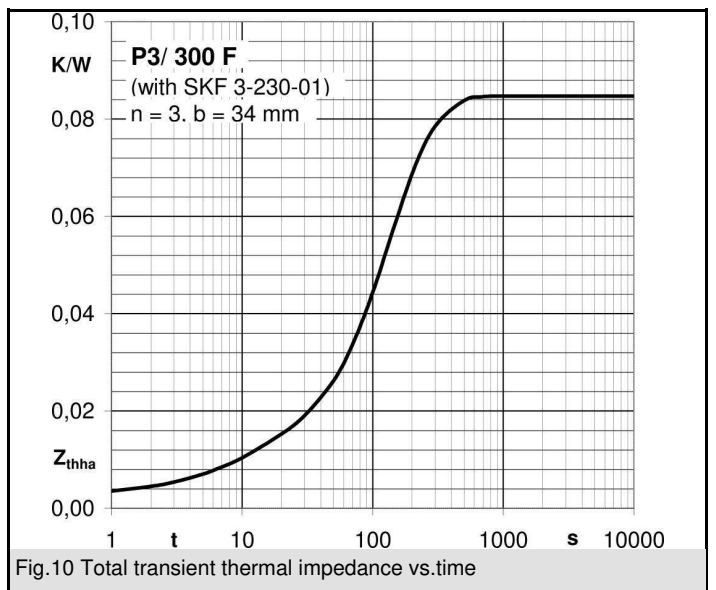
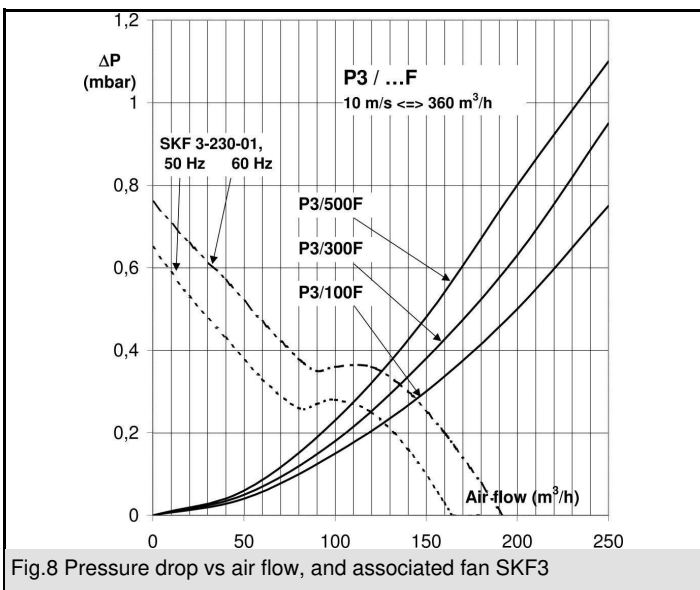
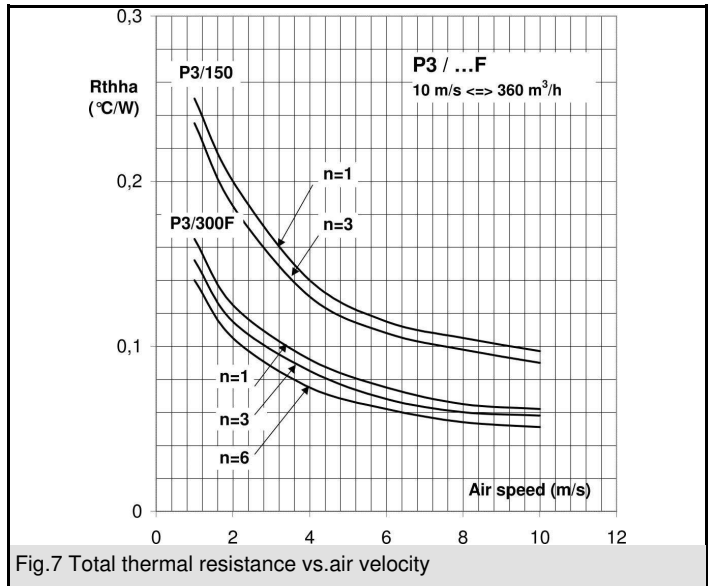
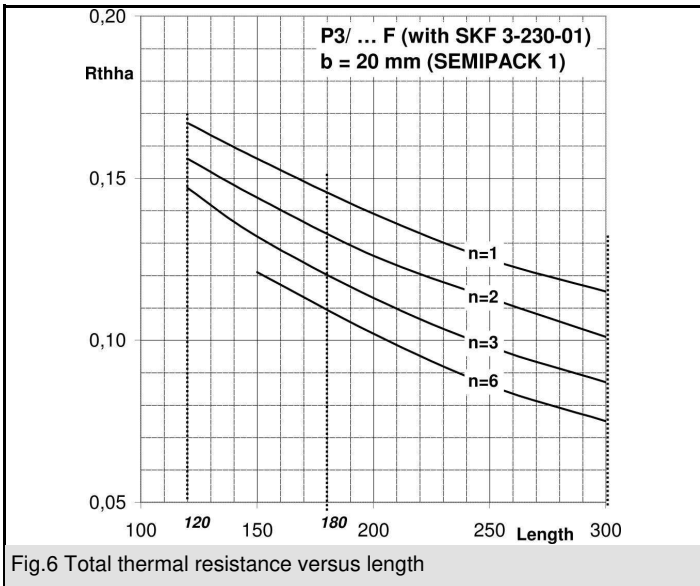
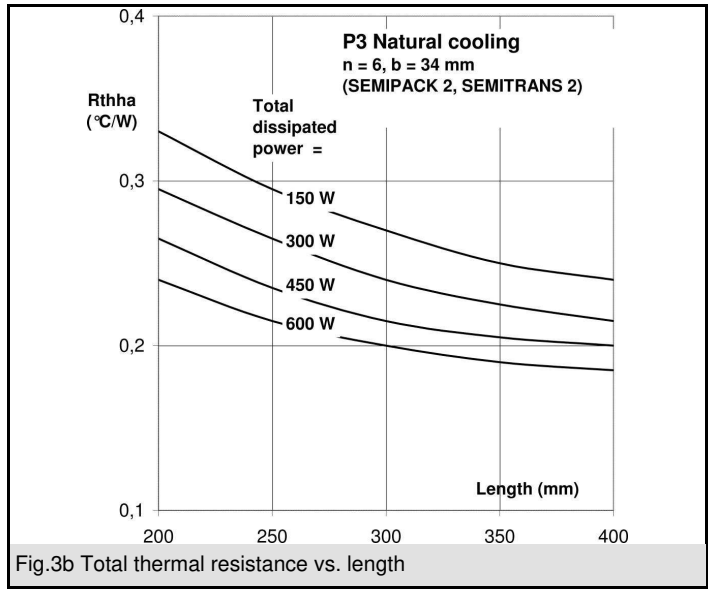
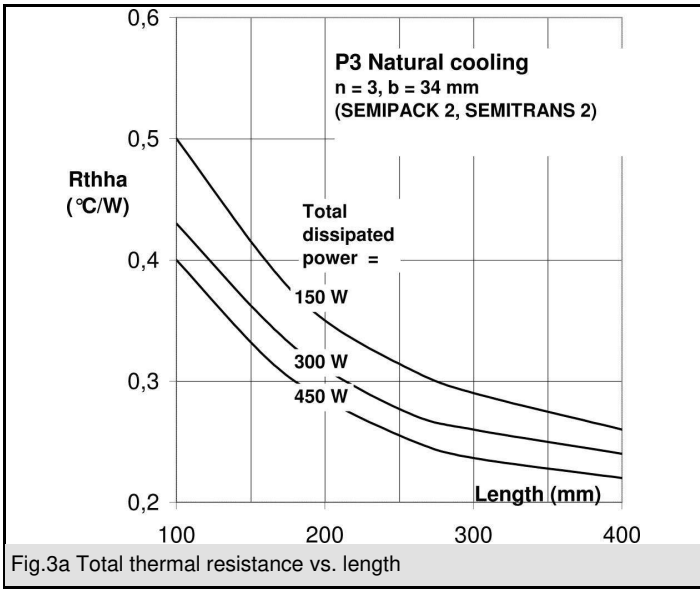
- Intended for isolated power modules, SEMIPACK (1 to 4) and SEMITRANS 2 range
- Integrated rails allow for easy mounting of the modules
- Available in various lengths
- Best fitted fan : SKF 3-230-01
- Mounting bar rails available (see sketches)



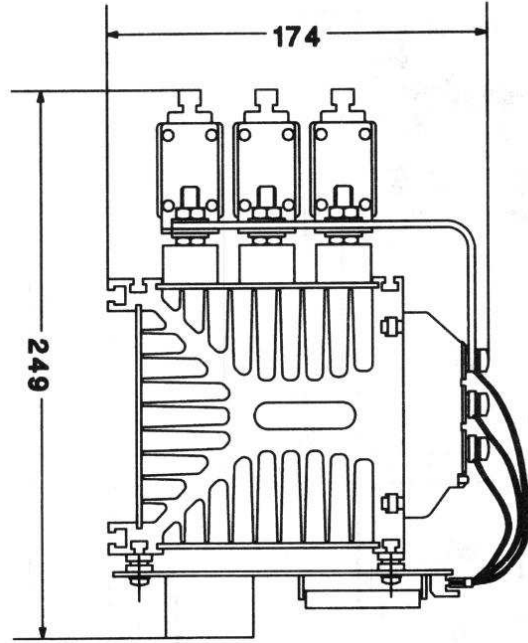
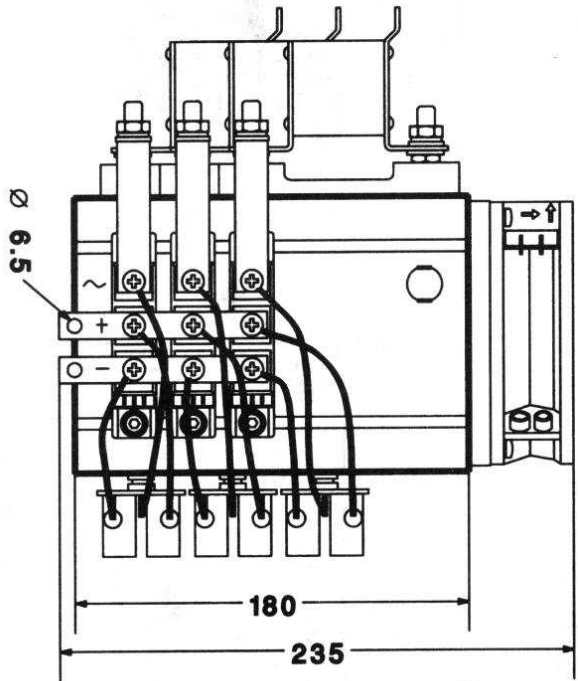
P3 general profile dimensions (w = 17,6 kg/m)



P 3 standard accessories



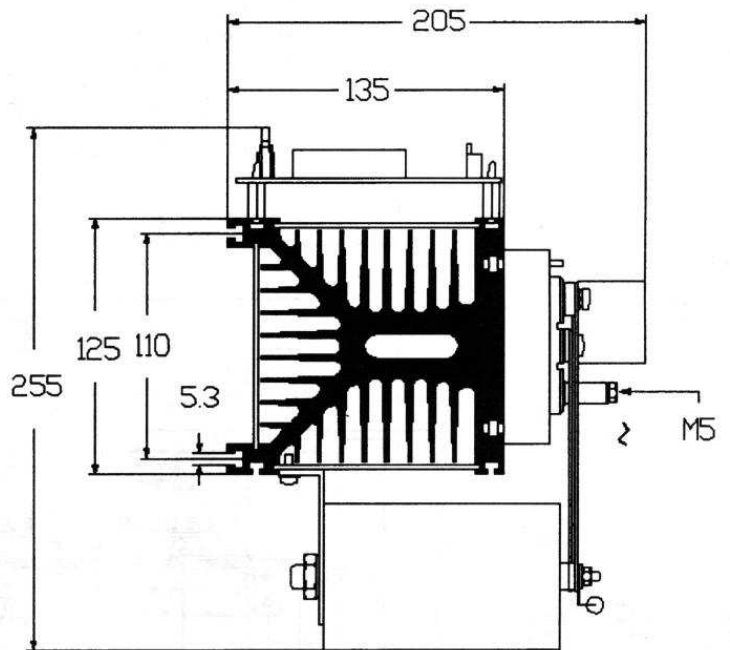
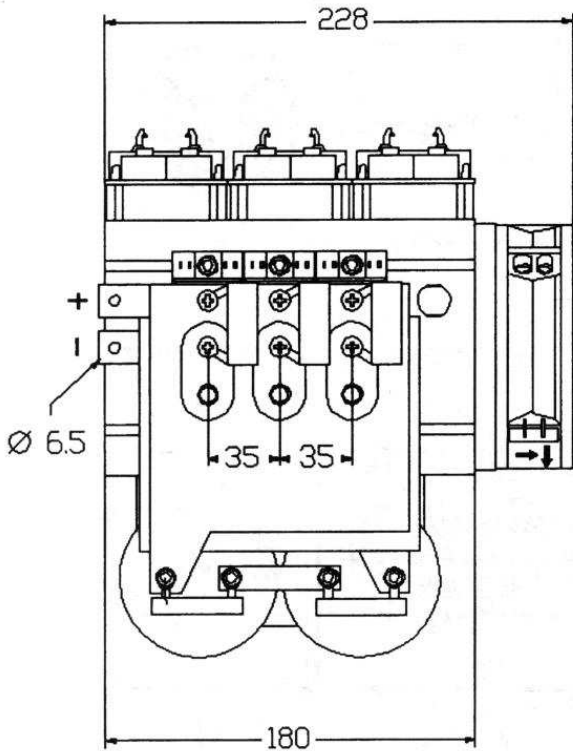
P3/180 F



This figure shows all available options

1. Application example using heatsink P 3/180 and SEMIPACK modules to give a three phase bridge

P3/180



2. Application example using SEMITRANS modules to give a B6CI configuration